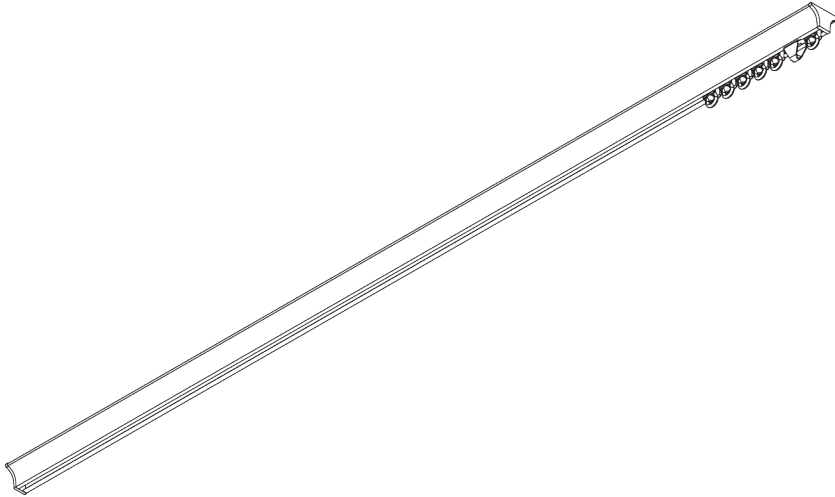


# SG 1020

---



## PRODUCT INFORMATION

- **Operation:** hand
- **Range:** S
- **Fitting:** ceiling
- **Colours:** white RAL 9016 or anodised aluminum, special colours possible
- **Fabrics:** refer to Silent Gliss fabric collection

### **Features:**

- Symmetrical Funnel design
- Bendable

# SYSTEM SPECIFICATIONS

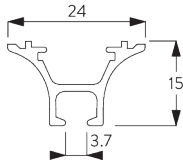
## A. SYSTEM DIMENSIONS



10 kg

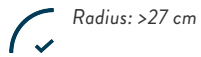
## B. PROFILE

Profile and bending information



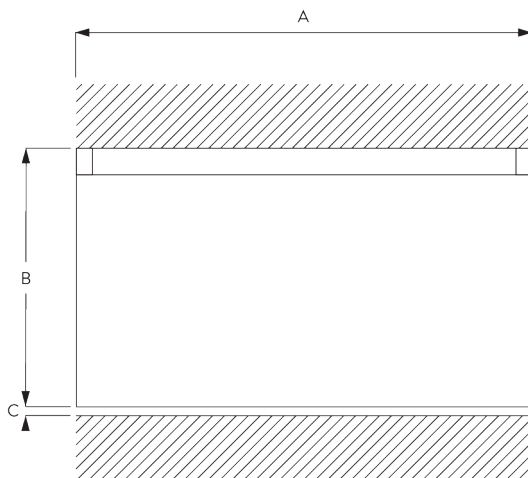
**SG 6822**

Profile Funnel



Radius: >27 cm

## C. HOW TO MEASURE



A: System width

B: System height

C: Distance between floor and fabric

## D. SPECIFICATION

### TEXT

#### **EN**

Silent Gliss SG 1020 Hand Drawn Curtain Track System. Comprises aluminium profile SG 6822 supplied made to measure in silver anodised or white powder coated, alternatively a specified RAL colour. SG 3533 at 14/m and 2 end covers SG 6824 / end stops SG 3070 per length. Top fixed with bracket SG 11236 at max. 500 mm centres.

#### **SV**

Silent Gliss SG 1020 handdragssystem. Består av aluminiumprofil SG 6822 i specificerad längd i vitlack, alu natur eller angiven RAL färg. 14 st SG 3533 glid per meter, 2 st SG 6824 ändskydd samt 2 st SG 3070 vridstopp per system. Takmonteras med fäste SG 11236 c/c 500 mm.

#### **NO**

Silent Gliss SG 1020 manuell gardinskinne. Består av aluminiumprofil SG 6822 i spesifisert lengde, standard i hvitlakkert eller alu natur. Kan også leveres i spesifisert RAL farge. 14 stk SG 3533 glidere pr meter, 2 stk SG 6824 endestykker samt 2 stk SG 3070 vristopp pr system. Takmonteres med feste SG 11236 c/c 500 mm.

#### **DA**

Silent Gliss SG 1020 håndtrukket gardinskinnesystem. Består af en aluminiumprofil SG 6822 i ønsket længde, sølvanodiseret eller hvid pulverlakering, alternativt en specificeret RAL-farve. 14 stk. SG 3533 glidere pr. m og 2 stk. SG 6824 endelåg samt 2 stk. SG 3070 endestop pr. længde. Loftmonteres med beslag SG 11236 med højst 500 mm afstand.

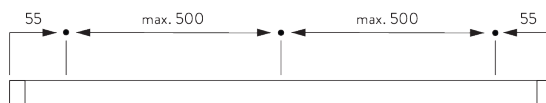
# FITTING

## A. FITTING

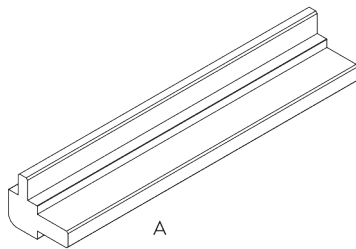
### INFORMATION

For detailed fitting information, visit the Silent Gliss website.

#### Fixing points



#### Fitting Tool

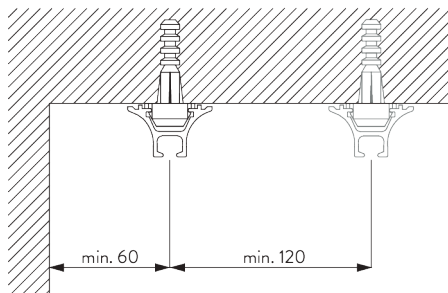


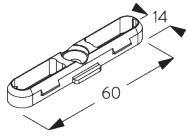
A: Funnel fitting tool SG 6827

For fitting / removing of the funnel profile.

## B. CEILING FITTING

#### Clip SG 11236











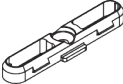
---

**SG 11236**








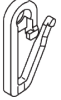
*Clip*

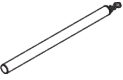
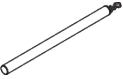

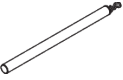
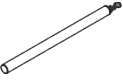
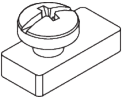
# PARTS

## A. STANDARD PARTS

	<b>SG 3070</b> End stop
	<b>SG 3085</b> Spring stop
	<b>SG 3533</b> Glider
	<b>SG 3599</b> Hook
	<b>SG 6822</b> Profile Funnel
	<b>SG 6824</b> End cover
	<b>SG 11236</b> Clip

## B. OPTIONAL PARTS

	<b>SG 3012</b> Hook
	<b>SG 3016</b> End stop
	<b>SG 3062</b> Connection bridge
	<b>SG 3071</b> End stop
	<b>SG 3511</b> Glider
	<b>SG 3534</b> Glider 3533 on strip
	<b>SG 3535</b> Glider
	<b>SG 3537</b> Glider
	<b>SG 3548</b> Glider
	<b>SG 3549</b> Click glider with hook
	<b>SG 3555</b> Hook
	<b>SG 3570</b> Glider
	<b>SG 3582</b> Hook
	<b>SG 3598</b> Eyelet

	<b>SG 10430</b> Draw rod 50 cm
	<b>SG 10431</b> Draw rod 75 cm
	<b>SG 10432</b> Draw rod 100 cm
	<b>SG 10433</b> Draw rod 125 cm
	<b>SG 10434</b> Draw rod 150 cm
	<b>SG 11335</b> End stop





