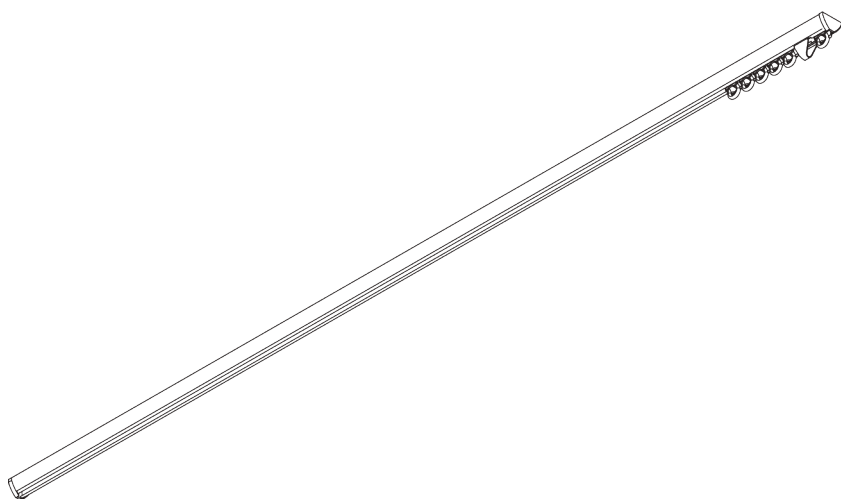


# SG 1060

---



## PRODUCT INFORMATION

- **Operation:** hand
- **Range:** S
- **Fitting:** ceiling
- **Colours:** white RAL 9016 or anodised aluminum, special colours possible
- **Fabrics:** refer to Silent Gliss fabric collection

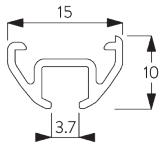
### **Features:**

- Bendable

# SYSTEM SPECIFICATIONS

## A. PROFILE

Profile and bending information

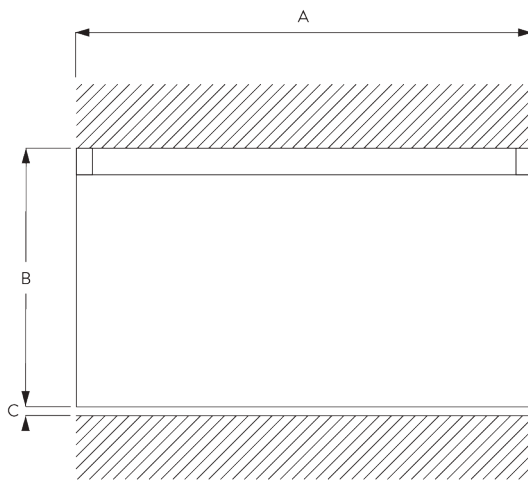


**SG 1060p**

Profile

Radius:  
✓ 6 cm, 10 cm, 12 cm,  
20 cm, >30 cm

## B. HOW TO MEASURE



A: System width

B: System height

C: Distance between floor and fabric

## C. SPECIFICATION

### TEXT

#### EN

Silent Gliss SG 1060 Hand Drawn Curtain Track System. Comprises aluminium profile SG1060 supplied made to measure in silver anodised or white powder coated, alternatively a specified RAL colour. SG 3533 at 14/m and 2 end covers SG 3061/ end stops SG 3070 per length. Top fixed with brackets SG 3060 at max. 300 mm centres.

#### SV

Silent Gliss SG 1060 handdragssystem. Består av aluminiumprofil SG 1060 i specificerad längd i vitlack, alu natur eller angiven RAL färg. 14 st SG 3533 glid per meter, 2 st SG 3061 ändskydd samt 2 st SG 3070 vridstopp per system. Takmonteras med fäste SG 3060 c/c 300 mm.

#### NO

Silent Gliss SG 1060 manuell gardinskinne. Består av aluminiumprofil SG 1060 i spesifisert lengde, standard i hvitlakkert eller alu natur. Kan også leveres i spesifisert RAL farge. 14 stk SG 3533 glidere pr meter, 2 stk SG 3061 endeløkk samt 2 stk SG 3070 vridstopp pr system. Takmonteres med feste SG 3060 c/c 300 mm.

#### DA

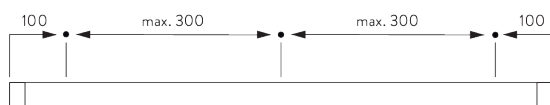
Silent Gliss SG 1060 håndtrukket gardinskinnesystem. Består af en aluminiumprofil SG1060 i ønsket længde, sølvanodiseret eller hvid pulverlakering, alternativt en specificeret RAL-farve. 14 stk. SG 3533 glidere pr. m og 2 stk. endelåg SG 3061 samt 2 stk. SG 3070 endestop pr. længde. Loftmonteres med beslagene SG 3060 med højst 300 mm afstand.

# FITTING

## A. FITTING INFORMATION

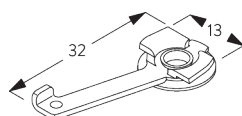
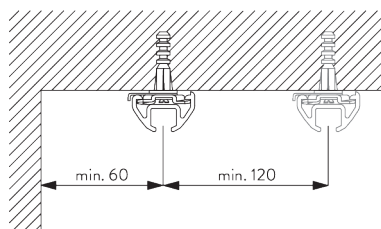
For detailed fitting information, visit the *Silent Gliss* website.

### Fixing points



## B. CEILING FITTING

### Clamp SG 3060


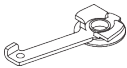
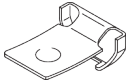

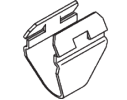




**SG 3060**


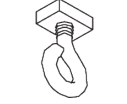
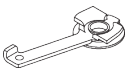

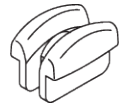



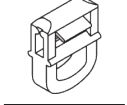
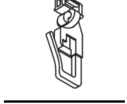

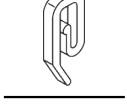
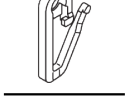

Clamp

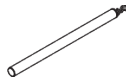
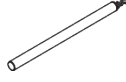
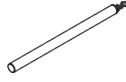
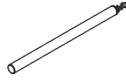
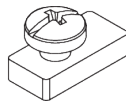
# PARTS

## A. STANDARD PARTS

	<b>SG 1060p</b> Profile
	<b>SG 3060</b> Clamp
	<b>SG 3061</b> End cover
	<b>SG 3070</b> End stop
	<b>SG 3085</b> Spring stop
	<b>SG 3533</b> Glider
	<b>SG 3599</b> Hook

## B. OPTIONAL PARTS

	<b>SG 3012</b> Hook
	<b>SG 3016</b> End stop
	<b>SG 3060</b> Clamp
	<b>SG 3062</b> Connection bridge
	<b>SG 3511</b> Glider
	<b>SG 3534</b> Glider 3533 on strip
	<b>SG 3535</b> Glider
	<b>SG 3537</b> Glider
	<b>SG 3548</b> Glider
	<b>SG 3549</b> Click glider with hook
	<b>SG 3570</b> Glider
	<b>SG 3582</b> Hook
	<b>SG 3598</b> Eyelet
	<b>SG 10430</b> Draw rod 50 cm

	<b>SG 10431</b> Draw rod 75 cm
	<b>SG 10432</b> Draw rod 100 cm
	<b>SG 10433</b> Draw rod 125 cm
	<b>SG 10434</b> Draw rod 150 cm
	<b>SG 11335</b> End stop