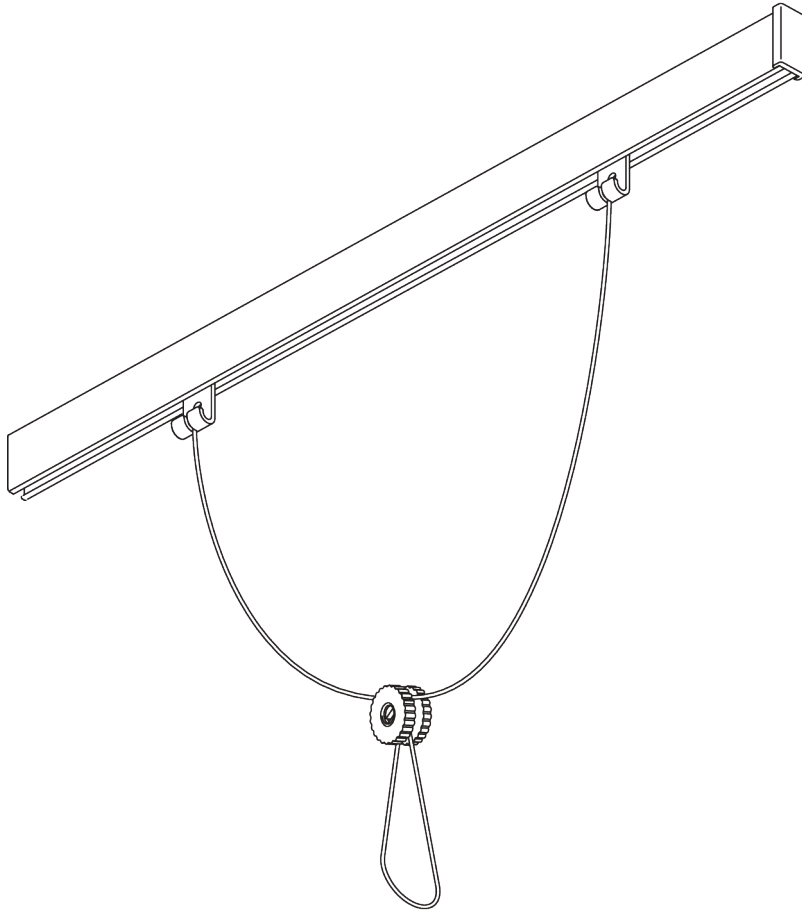
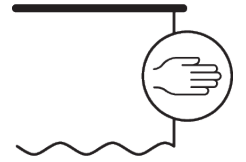


# SG 3600

---



## PRODUCT INFORMATION

- **Operation:** hand
- **Fitting:** wall
- **Colours:** white RAL 9016 or anodised aluminum, special colours possible

### **Features:**

- Picture hanging system
- Adjustable height

# SYSTEM SPECIFICATIONS

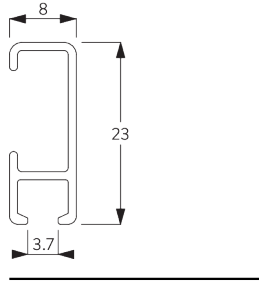
## A. SYSTEM DIMENSIONS



10 kg  
(Total picture weight)

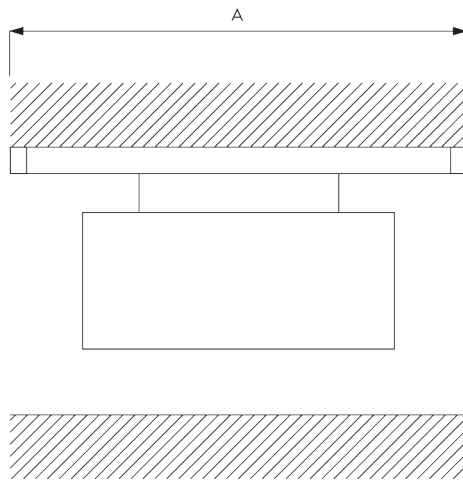
## B. PROFILE

Profile and bending  
information



SG 1080p  
Profile

## C. HOW TO MEASURE



A: System width

## D. SPECIFICATION

### TEXT

#### EN

Silent Gliss SG 3600 Picture Hanging System. Comprises aluminium profile SG1080 supplied made to measure in silver anodised or white powder coated, alternatively a specified RAL colour. 2 pcs Endcaps SG 3605 per track. 1 pcs SG Picture hanging set SG 3665 per picture. Wall fix with SG 3606 clip.

#### SV

Silent Gliss SG 3600 tavelhängningssystem. Består av aluminiumprofil SG 1080 i specificerad längd i vitlack, alu natur eller angiven RAL färg. 2 st ändskydd SG 3605 per skena. 1 st tavelhängningsset SG 3665 per konstverk. Vägghäring med SG 3606 klips.

#### NO

Silent Gliss SG 3600 Bildeopphengsystem. Består av aluminiumprofil SG 1080 i spesifisert lengde, standard i hvitlakkert eller alu natur. Kan også leveres i spesifisert RAL farge. 2 stk endeløkk SG 3605 pr skinne. 1 stk bildeopphengsett SG 3665 pr kunstverk. Veggmontering med SG 3606 klips.

#### DA

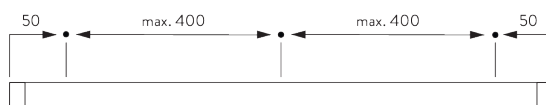
Silent Gliss SG 3600 billedophængningssystem. Består af en aluminiumprofil SG1080 i ønsket længde, sølvanodiseret eller hvid pulverlakering, alternativt en specificeret RAL-farve. 2 stk. endelåg SG 3605 pr. skinne. 1 stk. SG billedophængningsæt SG 3665 pr. billede. Vægmonteres med SG 3606 klips.

# FITTING

## A. FITTING INFORMATION

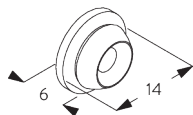
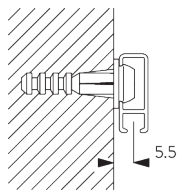
For detailed fitting information, visit the Silent Gliss website.

### Fixing Points



## B. WALL FITTING

### Bracket SG 3606

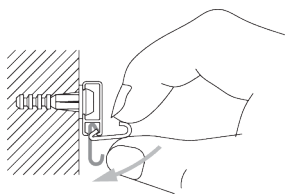


SG 3606

Clip

## C. HANGING UP OF PICTURE

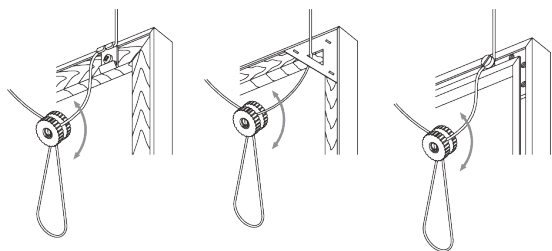
Set SG 3665



Click-in hooks SG 3606.

Parts:


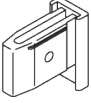


- SG 3634 Height adjuster
- SG 3637 Cord  $\varnothing$  1.5 mm
- SG 3663 Hook



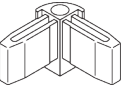
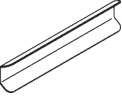
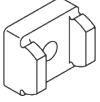
Picture height is adjusted by turning plastic screw.

# PARTS

## A. STANDARD PARTS

	<b>SG 1080p</b> Profile
	<b>SG 3605</b> End cover
	<b>SG 3606</b> Clip
	<b>SG 3665</b> Picture hanging set

## B. OPTIONAL PARTS

	<b>SG 3604</b> Corner connector
	<b>SG 3657</b> Connection bridge
	<b>SG 3666</b> Clip





