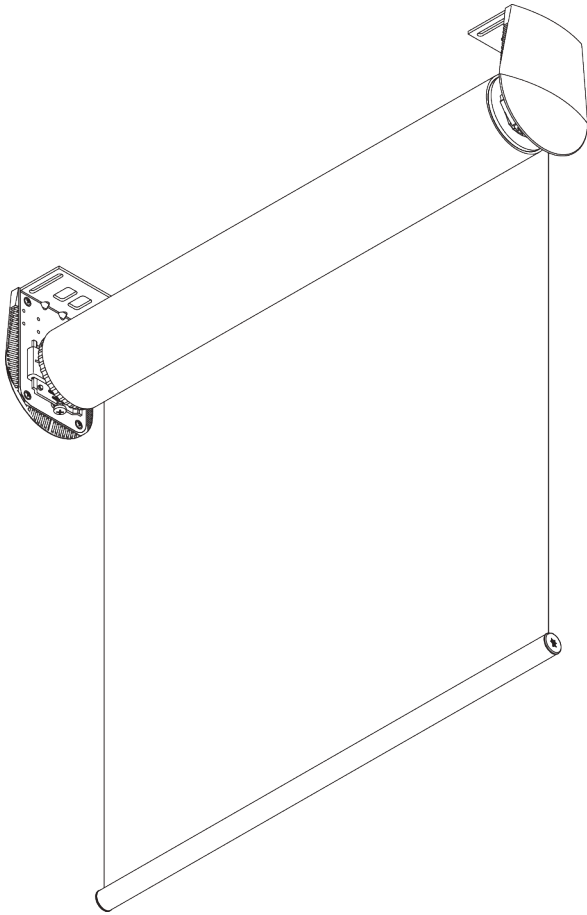


# SG 4880

---



## PRODUCT INFORMATION

- **Operation:** motorised
- **Range:** L
- **Fitting:** ceiling, wall, recess
- **Colours:** white RAL 9016 or anodised aluminum, special colours possible
- **Fabrics:** refer to Silent Gliss fabric collection

### **Features:**

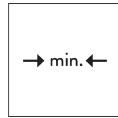
- Quiet and fast motors
- Soft stop
- Various control options
- Stainless steel brackets, adjustable for vertical alignment of fabric

# SYSTEM SPECIFICATIONS

## A. SYSTEM DIMENSIONS



Tube SG 4957: 5 m  
Tube SG 4901: 4 m



72 cm\*  
\*see motor specification table



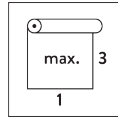
Tube SG 4957: 9 m  
Tube SG 4901: 12 m



36 m<sup>2</sup>



23 kg



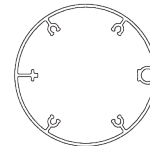
Recommended width /  
height ratio  
max. 1:3

## Maximum surface area

B ↓	A →							
	2 m	2.5 m	3 m	3.5 m	4 m	4.5 m	5 m	
2 m	●	●	●	●	○	○	○	
2.5 m	●	●	●	●	○	○	○	
3 m	●	●	●	●	○	○	○	
3.5 m	●	●	●	●	○	○	○	
4 m	●	●	●	●	○	○	○	
4.5 m	●	●	●	●	○	○	○	
5 m	●	●	●	●	○	○	○	
5.5 m	●	●	●	●	○	○	○	
6 m	●	●	●	●	○	○	○	
6.5 m	●	●	●	●	○	○	○	
7 m	●	●	●	●	○	○	○	
7.5 m	●	●	●	●	○	○		
8 m	●	●	●	●	○	○		
8.5 m	●	●	●	●	○			
9 m	●	●	●	●	○			
9.5 m	●	●	●	●				
10 m	●	●	●	●				
10.5 m	●	●	●					
11 m	●	●	●					
11.5 m	●	●	●	max. 36 m <sup>2</sup>				
12 m	●	●	●					



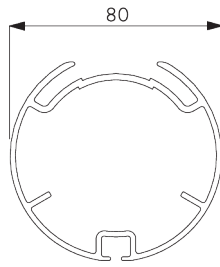
● SG 4901 (ø 80 mm)



○ SG 4957 (ø 110 mm)

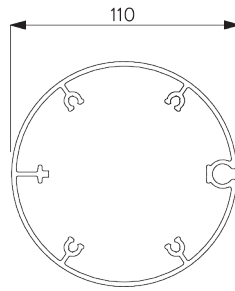
## B. PROFILE

### Profile information



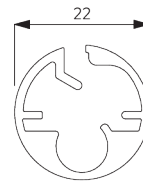
**SG 4901**

Tube ø 80 mm



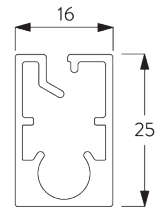
**SG 4957**

Tube ø 110 mm



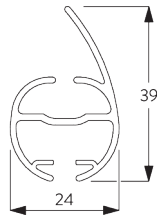
**SG 10760**

Bottom bar



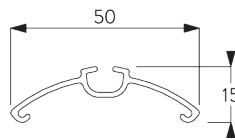
**SG 10770**

Bottom bar



**SG 4903**

Bottom bar

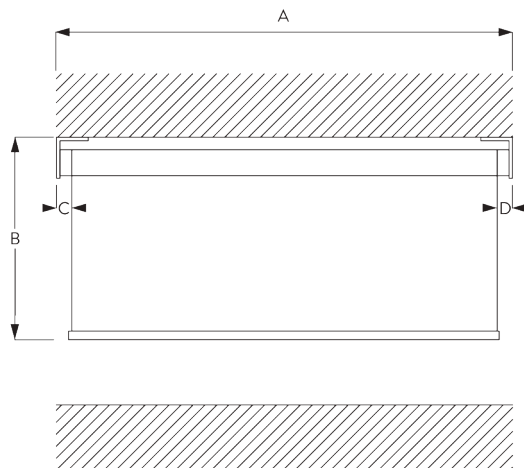


**SG 4902**

Profile

## C. HOW TO MEASURE

incl. bracket covers  
(15 mm)



A: System width  
B: System height

Tube SG 4901 (ø 80 mm):  
C: Light gap: 44 mm  
D: Light gap operation side: 50 mm

Tube SG 4957 (ø 110 mm):  
C: Light gap: 42 mm  
D: Light gap operation side: 52 mm

Note:  
Different light gaps see motor specifications.  
All measurements include 15 mm for bracket cover per side!

## D. SPECIFICATION

### TEXT

#### EN

Silent Gliss SG 4880 Electrically Operated Roller Blind System. Roller blind system for heavy and large size blind applications up to 5m wide. Supplied made to measure and complete comprising anodised aluminium barrel SG 4901 (80mm tube) / SG 4957 (110mm tube) and stainless steel bracket combination set SG 4949. Fix to wall / ceiling / inside recess. Incorporating Silent Gliss patented Quick Twist SG 4902 for easy on-site adjustment of the fabric roll up (80mm tube only). Assembled with powder coated white finish aluminium bottom weight bar SG 4903. Integral 230v motor SG 10326 / (SG 10327 with radio receiver). Operation by mains switch (not supplied), by remote control or mains switching by third party control system. All wiring to be strictly in accordance with Silent Gliss wiring diagrams. Fabric to be chosen from the Silent Gliss fabric range, Price Group 1-4.

#### SV

Silent Gliss SG 4880 rullgardinsystem med motor. Rullgardinsystem för installationer upp till 5 m bredd. Levereras komplett i specificerat mått innefattande anodiserat rör SG 4901, 80 mm / SG 4957, 110 mm. Vägg/tak och nischmontering med fästen set SG 4949. Inkl. Silent Gliss patenterad funktion Quick Twist SG 4902 för enkel justering på plats av upprulling på 80 mm tub. Sidewire som tillbehör. Monterad pulverlackerad tyngdprofil i aluminium i finish vitt/alu SG 4903. Integrerad 230V motor SG 10326/ (SG 10327 radiomottagare) vänster / höger sida. Styrning via väggkontakt(ej inkluderad), via fjärrkontroll eller via externt styrsystem. All elinstallation skall följa Silent Gliss kopplingschema. Textil från Silent Gliss textilprogram i prisgrupp 1-4.

#### NO

Silent Gliss SG 4880 rullegardinsystem med motor. Rullegardinsystem for maks. bredde på 5 meter. Leveres komplett på spesialmål med anodisert rør integrert, SG4901, 80 mm / SG 4957, 110mm. Tak-, vegg- og nisjemontering med feste SG4902. Inkl. Silent Gliss patentert funksjon Quick Twist SG 4902 for enkel justering på stedet av opprulling på 80mm rør. Sidewire som tilbehør. Monteret pulverlakkert tyngdeprofil i aluminium i finish hvit og alu SG 4903. Integrert 230V motor SG10326 / (SG 10329 radiomottaker) venstre/høyre side. Styring via veggkontroll (ikke inkludert), fjernkontroll eller via eksternt styringssystem. Alle elektriske installasjoner skal utføres i.h.t. Silent Gliss koblingsskjema. Tekstil fra Silent Gliss kolleksjon i prisgruppe 1-4.

#### DA

Silent Gliss SG 4880 elektrisk rullegardinsystem. Rullegardinsystem til tunge og store installationer med op til 5 m bredde. Leveres i ønsket længde og samlet, bestående af anodiseret aluminiumrør SG 4901 (80 mm rør) / SG 4957 (110 mm rør) og beslag af rustfrit stål, kombinationssæt SG 4949. Fastgjort til væg / loft / indfældet. Bruger det Silent Gliss patenterede Quick Twist SG 4902, så stofrullen nemt kan justeres på stedet (kun for 80 mm rør). Monteret med hvid pulverlakeret tyngdeprofil af aluminium SG 4903. Integreret 230 V motor SG 10326 / (SG 10327 med radiomodtager). Styres med lysnetkontakt (medfølger ikke), med fjernbetjening eller lysnetkontakt fra tredjepart system. Al ledningsføring skal udelukkende vælges i henhold til Silent Gliss ledningsdiagrammer. Stoffet vælges fra Silent Gliss stofprogrammet, prisgruppe 1-4.

# FITTING

## A. FITTING INFORMATION

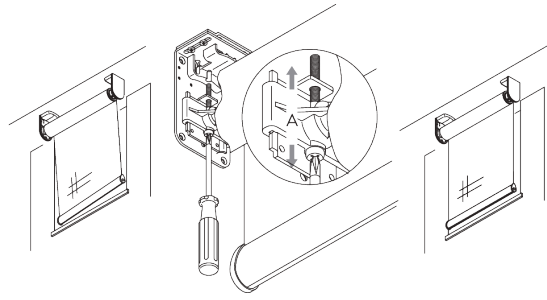
### Fixing points

For detailed fitting information, visit the Silent Gliss website.



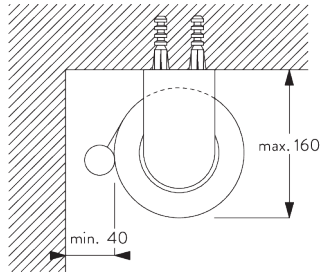
\*30 mm without cover  
\*43 mm with cover

**Adjustable brackets  
(for vertical  
adjustments)**

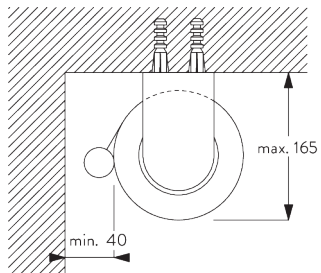


Vertical adjustment of fabric to the window frame.

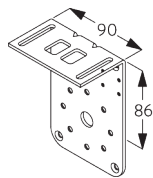
**B. CEILING FITTING**



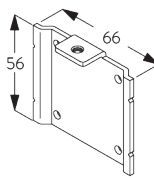
Tube SG 4901 (ø 80 mm)



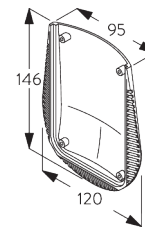
Tube SG 4957 (ø 110 mm)



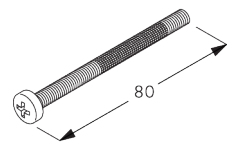
**SG 4904**  
Bracket (set SG 4949)



**SG 4906**  
Plate (set SG 4949)

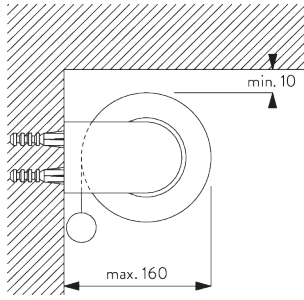


**SG 4956**  
Bracket cover

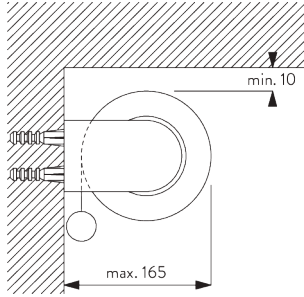


**SG 4966**  
Special screw (set SG 4949)

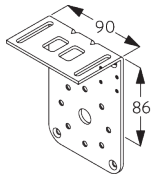
## C. WALL FITTING



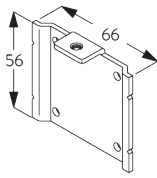
Tube SG 4901 (ø 80 mm)



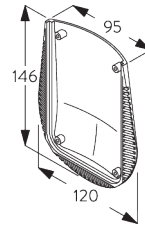
Tube SG 4957 (ø 110 mm)



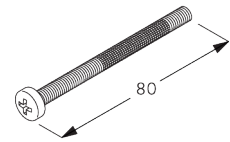
**SG 4904**  
Bracket (set SG 4949)



**SG 4906**  
Plate (set SG 4949)

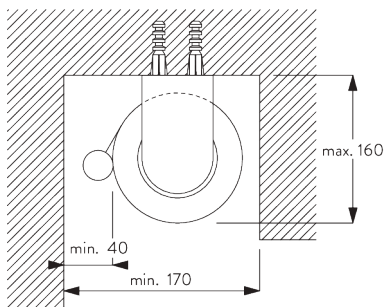


**SG 4956**  
Bracket cover

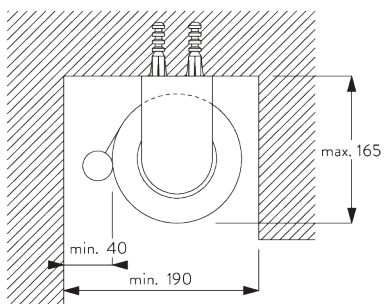


**SG 4966**  
Special screw (set SG 4949)

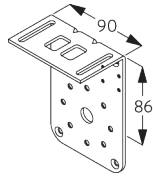
## D. RECESS FITTING



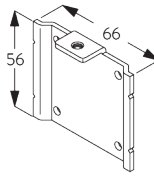
Tube SG 4901 (ø 80 mm)



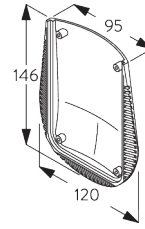
Tube SG 4957 (ø 110 mm)



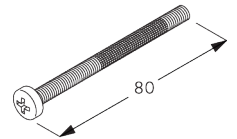
**SG 4904**  
Bracket (set SG 4949)



**SG 4906**  
Plate (set SG 4949)

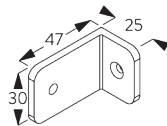
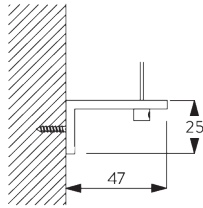


**SG 4956**  
Bracket cover

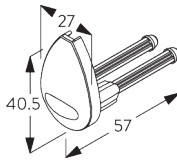


**SG 4966**  
Special screw (set SG 4949)

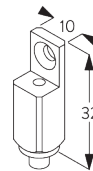
**E. FITTING WITH  
SIDE GUIDE  
OPTION**



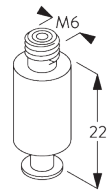
**SG 3036**  
Bracket 47 mm



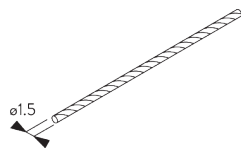
**SG 4944**  
Side guide end cover



**SG 4946**  
Side guide wire rope fastener



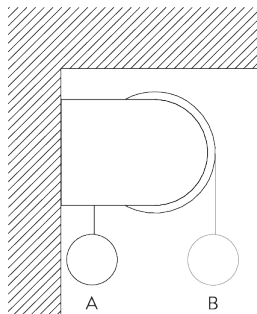
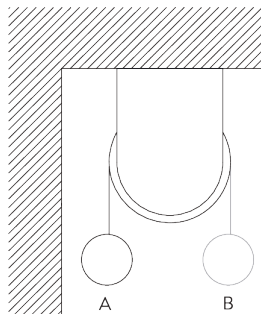
**SG 4947**  
Side guide wire rope fastener



**SG 4948**  
Side guide wire ø 1.5 mm

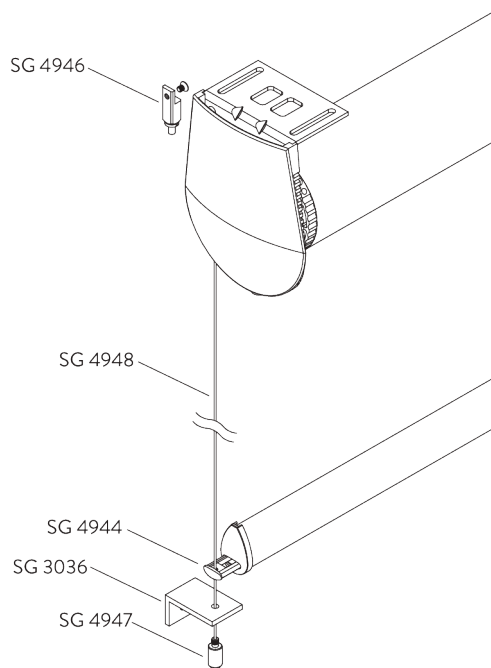
# SYSTEM OPTIONS

**A. FABRIC ROLL-OFF**



A: Fabric roll-off window side (standard)  
B: Fabric roll-off room side (option)

## **B. SIDE GUIDES**



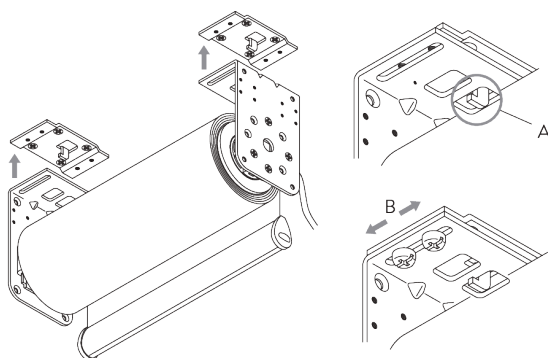
### *Additional parts:*

- 2x SG 3036 Bracket 47 mm
- 2x SG 4944 Side guide end cover
- 2x SG 4946 Side guide wire rope fastener
- 2x SG 4947 Side guide wire rope fastener
- 2x SG 4948 Side guide wire  $\varnothing$  1.5 mm

### *Note:*

- Light gaps increase when side-guide option is used
- Up to 15° from vertical

## **C. HOOK-IN INSTALLATION PLATES**



*A: Hook-in plates SG 4972 take the weight of the blind*

*B: Brackets sideways adjustable by up to 18 mm.*



# MOTORS & CONTROLS

## A. MOTOR FEATURES

Motors	50-Series	20-Series	20-Series
	SG 11255	SG 10327	SG 10326

### Motor Features

Soft stop	●	●	●
Electronic end-stop	●	●	●
Electronic revolution counter (unlimited revolution)	●	●	●
Two intermediate positions possible		●	
Bottom bar alignment	●		
Noiseless stop		●	●
Parallel wiring possible without additional relays		●	●
Disconnectable motor cable	●	●	●
IP class	IP 30	IP 44	IP 44

### Control Features

Mains power control			●
SG Control L (built-in receiver)		●	
Smart by Silent Gliss	●		
Suitable for most major home automation systems (with suitable interface)		●	●

## B. MOTOR SPECIFICATIONS

### Tube SG 4901

Motors	Light gaps C / D = driving side	Min. system width	Voltage	Current	Frequency	Speed	Frequency receiver
<b>50-Series (Smart by Silent Gliss)</b>							
SG 11255	C: 44 mm / D: 51 mm	74 cm	24 V DC	2.95 A	-	20 rpm	-
<b>20-Series</b>							
SG 10326 (standard)	C: 44 mm / D: 50 mm	72 cm	230 V AC	0.9 A	50 Hz	23 rpm	-
SG 10327	C: 44 mm / D: 50 mm	72 cm	230 V AC	0.9 A	50 Hz	23 rpm	868/915 MHz

### Tube SG 4957

Motors	Light gaps C / D = driving side	Min. system width	Voltage	Current	Frequency	Speed	Frequency receiver
<b>50-Series (Smart by Silent Gliss)</b>							
SG 11255	C: 42 mm / D: 54 mm	74 cm	24 V DC	2.95 A	-	20 rpm	-
<b>20-Series</b>							
SG 10326 (standard)	C: 42 mm / D: 52 mm	73 cm	230 V AC	0.9 A	50 Hz	23 rpm	-
SG 10327	C: 42 mm / D: 52 mm	73 cm	230 V AC	0.9 A	50 Hz	23 rpm	868/915 MHz

## C. OPERATING METHODS

See catalogue "controls" for details.

Wall Switch



System can be operated by fixed wall switch.

SG Control L



Various radio hand-held and wall transmitters available.



Silent Gliss Move App.

Smart by Silent Gliss



Open designed two-way communication system which allows to flawlessly integrate products with most major building management systems.

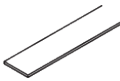
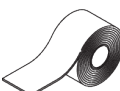


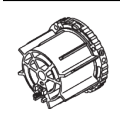
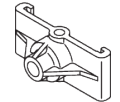

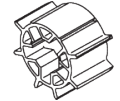
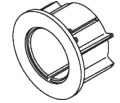
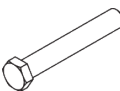
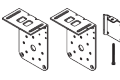

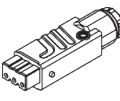
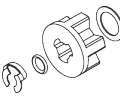
D. WIRING  
DIAGRAMS


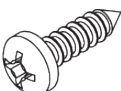
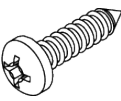

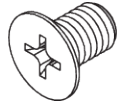




Refer to Silent Gliss website.

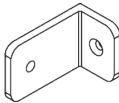

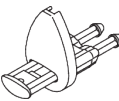
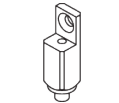


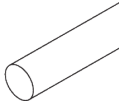

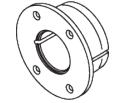
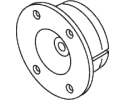

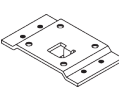
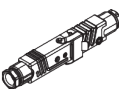
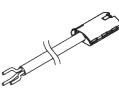
# PARTS

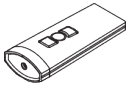
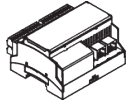
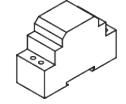
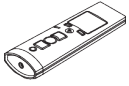
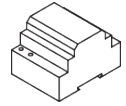
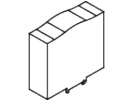
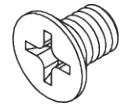
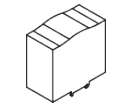
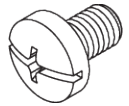
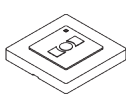
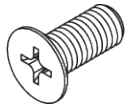
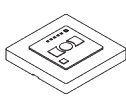
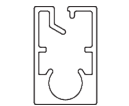
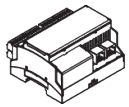
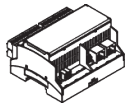
## A. STANDARD PARTS

	<b>SG 4223</b> PVC strip 14 mm
	<b>SG 4226</b> Double tape 30 mm
	<b>SG 4901</b> Tube ø 80 mm
	<b>SG 4902</b> Profile
	<b>SG 4914</b> Tube adapter
	<b>SG 4915</b> Support
	<b>SG 4926</b> Motor flange
	<b>SG 4927</b> Motor drive
	<b>SG 4928</b> Tube adapter
	<b>SG 4939</b> Shaft
	<b>SG 4949</b> Bracket set
	<b>SG 4956</b> Bracket cover
	<b>SG 9917</b> Hirschmann portable socket-outlet STAK 3 N
	<b>SG 10292</b> Motor drive set

	<b>SG 10326</b> Tubular motor 230V AC, 20 Series M 12/23
	<b>SG 10503</b> Pan head screw 3.5x13
	<b>SG 10506</b> Pan head screw 3.9x16
	<b>SG 10507</b> Pan head screw 3.5x6.5
	<b>SG 10509</b> Countersunk head screw M5x8
	<b>SG 10760</b> Bottom bar
	<b>SG 10761</b> End cover

## B. OPTIONAL PARTS

	<b>SG 3036</b> Bracket 47 mm
	<b>SG 4903</b> Bottom bar
	<b>SG 4944</b> Side guide end cover
	<b>SG 4946</b> Side guide wire rope fastener
	<b>SG 4947</b> Side guide wire rope fastener
	<b>SG 4948</b> Side guide wire ø 1.5 mm
	<b>SG 4951</b> Bottom weight ø 8 mm
	<b>SG 4957</b> Tube ø 110 mm
	<b>SG 4959</b> Tube adapter
	<b>SG 4961</b> Tube adapter
	<b>SG 4962</b> Motor drive
	<b>SG 4972</b> Installation plate
	<b>SG 9916</b> Hirschmann plug set
	<b>SG 10293</b> Cable 230V AC, 2/3/5/10 m

**SG 10300***Radio hand held 1 channel***SG 11262***Expansion unit***SG 10302***Radio hand held 5+1 channel***SG 11263***Power supply 24V DC, 2 Ampere  
DIN Rail***SG 10303***Radio hand held 10+2+1 channel***SG 11264***Power supply 24V DC, 3.8 Ampere  
DIN Rail***SG 10327***Tubular motor 230V AC, 20 Series  
M 12/23, radio receiver***SG 11265***Power supply 24V DC, 5 Ampere  
DIN Rail***SG 10502***Countersunk head screw M4x6***SG 11266***Power supply 24V DC, 10 Ampere  
DIN Rail***SG 10504***Pan head screw Freedrive M5x8***SG 11480***Radio wall transmitter 1 channel***SG 10508***Countersunk head screw M5x12***SG 11490***Radio wall transmitter 5+1 channel***SG 10770***Bottom bar***SG 10771***End cover***SG 10804***Radio hand held 15+5+1 channel***SG 11178***End cover***SG 11255***Tubular motor 24V DC, 50-Series  
M 10/20***SG 11260***Gateway Cedia***SG 11261***Gateway KNX*