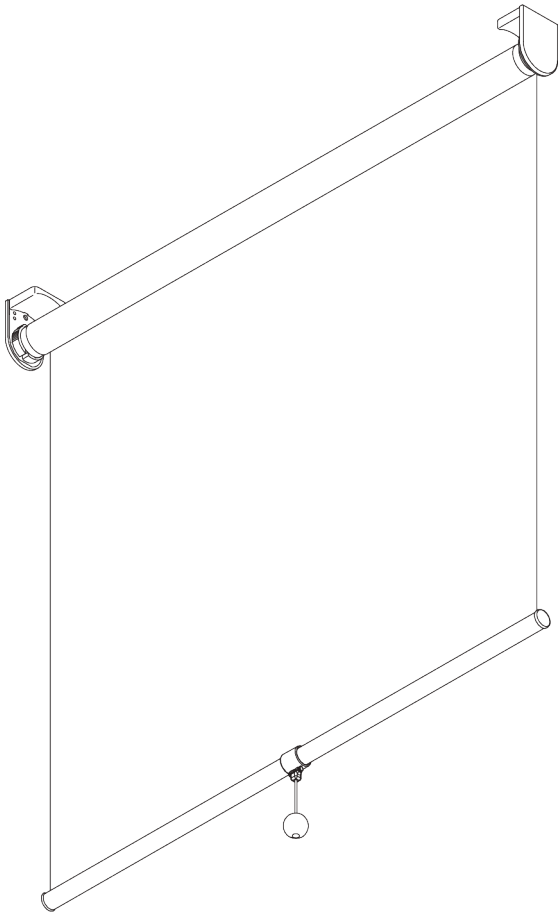
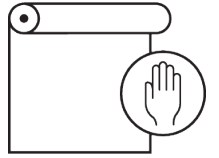


SG 4900



PRODUCT INFORMATION

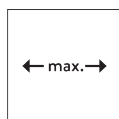
- **Operation:** spring
- **Range:** S - M
- **Fitting:** ceiling, wall, recess
- **Colours:** white RAL 9016, special colours possible
- **Fabrics:** refer to Silent Gliss fabric collection

Features:

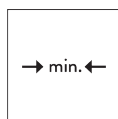
- Speed controller for controlled ascent
- Stop clutch mechanism to stop at any position
- Click-in brackets
- Installation profile
- End stop controller

SYSTEM SPECIFICATIONS

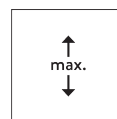
A. SYSTEM DIMENSIONS



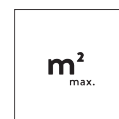
2 m



30 cm



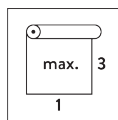
3 m



6 m²



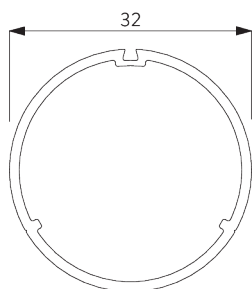
2.2 kg



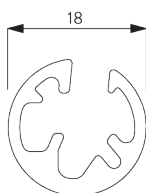
Recommended width /
height ratio
max. 1:3

B. PROFILE

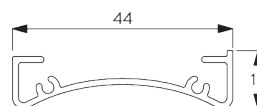
Profile information



SG 4227
Tube ø 32 mm

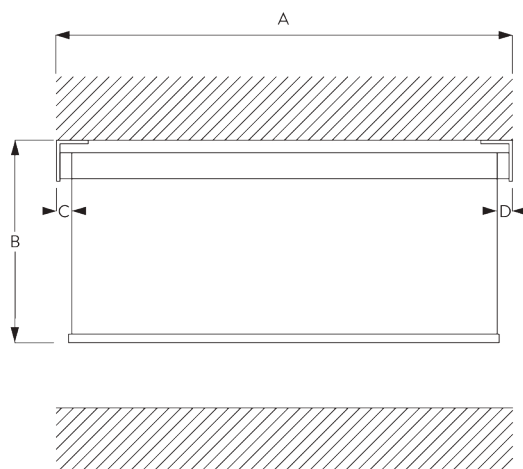


SG 10872
Bottom bar



SG 10534
Installation profile

C. HOW TO MEASURE



A: System width
B: System height
C: Light gap left side: 15 mm
D: Light gap right side: 15 mm

Note:
All measurements include 2 mm for bracket cover per side!

D. SPECIFICATION

TEXT

EN

Silent Gliss SG 4900 Spring Operated Roller Blind System. Roller blind system applications up to 2.0 m wide. Supplied made to measure and complete comprising anodised aluminium barrel SG 4227, 32 mm. Ceiling fix with brackets SG 10987 / SG 10989 / wall fix with brackets SG 10987 / SG 10990 / recess fix with brackets SG 10989 / SG 10991. Optional installation profile SG 10534. Available with optional stop controller SG 4377 to enable exact stop position of the blind. Assembled with powder coated aluminium bottom weight bar SG 4221 / 10633 / 10634 in white, silver or black finish. Spring to be specified according to weight and characteristics of fabric. Fabric to be chosen from the Silent Gliss fabric range, Price Groups 1-4.

SV

Silent Gliss SG 4900 fjädermanövrerat rullgardinsystem. Rullgardinsystem för installationer med max. breddmått 2 m. Levereras komplett i specificerat mått innefattande anodiserat rör SG4227, 32 mm. Takmontage med SG 10987 / SG 10989 / väggmontering med fästen SG 10987 / SG 10990 / infälld montering med fästen SG 10989 / SG 10991. Alternativt med installationsprofil SG 10534. Tillbehör SG 4377 för att bestämma exakt ändläge nertill/upptill. Monterad tyngdprofil i aluminium i finish vitt/alu/svart med SG 4221 / 10633 / 10634). Fjäder anpassas efter vikt och typ av textil. Textil från Silent Gliss textilprogram i prisgrupp 1-4.

NO

Silent Gliss SG 4900 Fjærbetjent rullegardinsystem. Rullegardinsystem for maks. bredde på 2 meter. Leveres komplett på spesialmål med anodisert rør integrert, SG4227, 32mm. Takmontering med SG10987 / SG10989 / veggmontering med feste SG 10987 / SG 10990 / innfelt montering med feste SG10989/SG 10990. Alternativt med installasjonsprofil SG 10534. SG 4377 brukes for å justere eksakt endeosisjon oppe/nede. Montert tyngdeprofil i aluminium i finish hvit/alu/svart med SG 4221 / 10633 / 10634. Fjær tilpasset vekt og type av tekstil. Tekstil fra Silent Gliss kolleksjon i prisgruppe 1-4.

DA

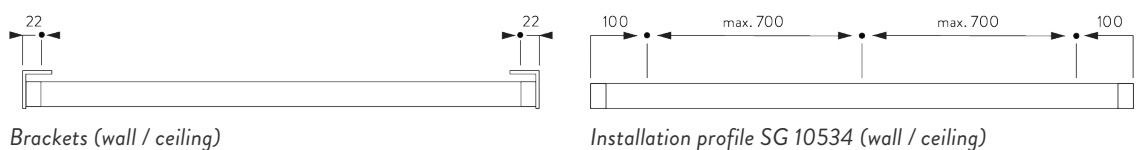
Silent Gliss SG 4900 fjederstyret rullegardinsystem. Rullegardinsystemer til installationer med op til 2,0 m bredde. Leveres i ønsket længde og samlet. Består af anodiseret aluminiumrør SG 4227, 32 mm. Fastgøres i loftet med beslagene SG 10987 / SG 10989 eller fastgøres i væggen med beslagene SG 10987 / SG 10990. Kan også indfældes med beslagene SG 10989 / SG 10991. Alternativt med installationsprofil SG 10534. Valgfri stopstyring SG 4377 for at bestemme rullegardinets nøjagtige stop-position. Monteret med pulverlakeret tyngdeprofil af aluminium SG 4221 / 10633 / 10634 med hvid, sølv eller sort finish. Fjederen tilpasses efter vægt og type af stoffet. Stoffet vælges fra Silent Gliss stofprogrammet, prisgrupper 1-4.

FITTING

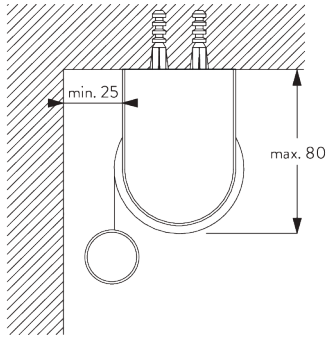
A. FITTING INFORMATION

Fixing points

For detailed fitting information, visit the Silent Gliss website.



B. CEILING FITTING

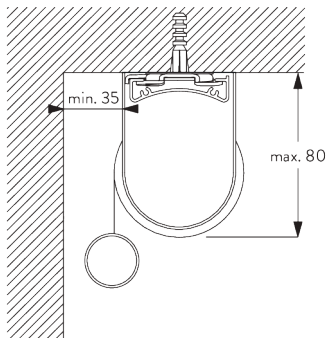


Brackets

Bracket SG 10989: window rolling side of fabric

Bracket SG 10991: room rolling side of fabric

Bracket SG 10987

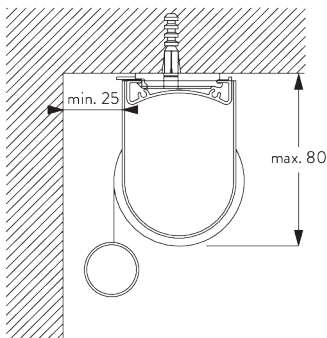


Installation profile SG 10534 and clamps SG 3033 or SG 3044

Bracket SG 10989: window rolling side of fabric

Bracket SG 10991: room rolling side of fabric

Bracket SG 10987

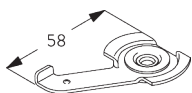


Installation profile SG 10534 and click bracket SG 10539

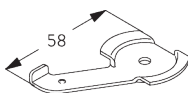
Bracket SG 10989: window rolling side of fabric

Bracket SG 10991: room rolling side of fabric

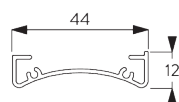
Bracket SG 10987



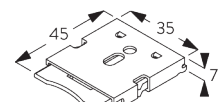
SG 3033
Clamp



SG 3044
Clamp



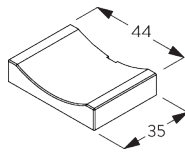
SG 10534
Installation profile



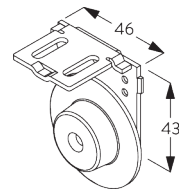
SG 10539
Bracket



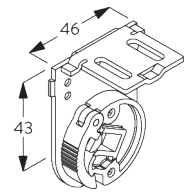
SG 10574
Bracket cover



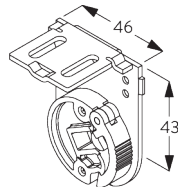
SG 10575
Bracket cover



SG 10987
Bracket

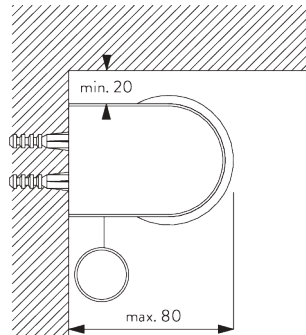


SG 10989
Bracket



SG 10991
Bracket

C. WALL FITTING

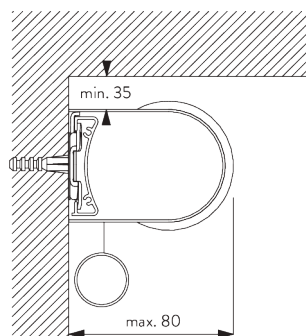


Brackets

Bracket SG 10990: window rolling side of fabric

Bracket SG 10992: room rolling side of fabric

Bracket SG 10987

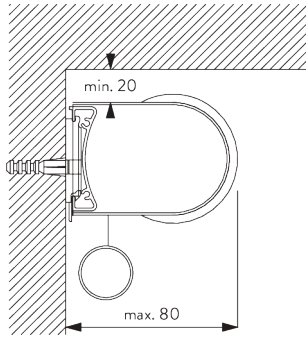


Installation profile SG 10534 and clamps SG 3033 or SG 3044

Bracket SG 10990: window rolling side of fabric

Bracket SG 10992: room rolling side of fabric

Bracket SG 10987

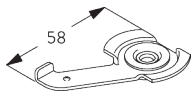


Installation profile SG 10534 and click bracket SG 10539

Bracket SG 10990: window rolling side of fabric

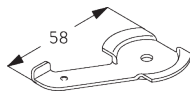
Bracket SG 10992: room rolling side of fabric

Bracket SG 10987



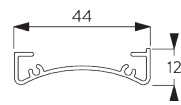
SG 3033

Clamp



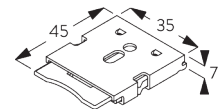
SG 3044

Clamp



SG 10534

Installation profile



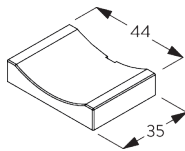
SG 10539

Bracket



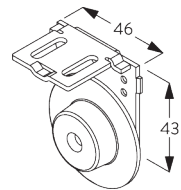
SG 10574

Bracket cover



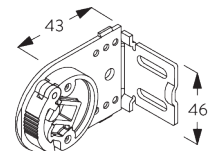
SG 10575

Bracket cover



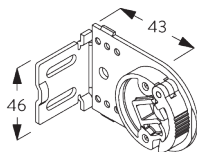
SG 10987

Bracket



SG 10990

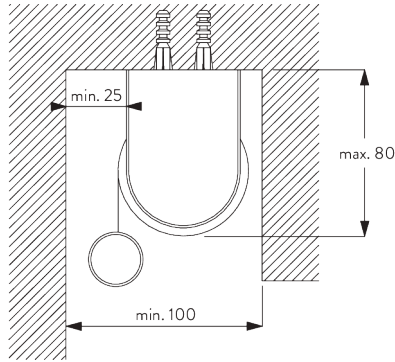
Bracket



SG 10992

Bracket

D. RECESS FITTING

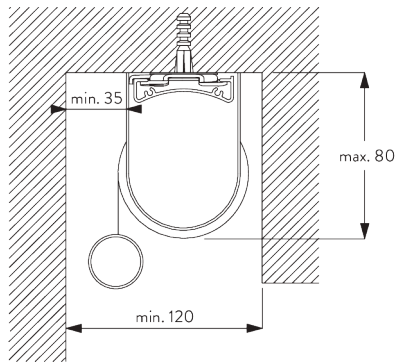


Brackets

Bracket SG 10989: window rolling side of fabric

Bracket SG 10991: room rolling side of fabric

Bracket SG 10987

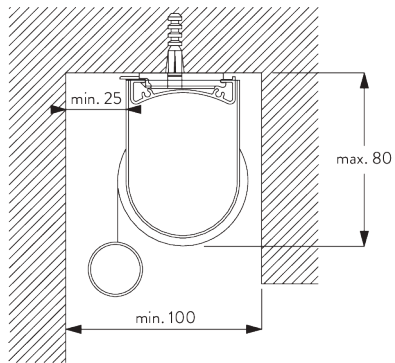


Installation profile SG 10534 and clamps SG 3033 or SG 3044

Bracket SG 10989: window rolling side of fabric

Bracket SG 10991: room rolling side of fabric

Bracket SG 10987

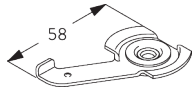


Installation profile SG 10534 and click bracket SG 10539

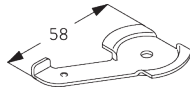
Bracket SG 10989: window rolling side of fabric

Bracket SG 10991: room rolling side of fabric

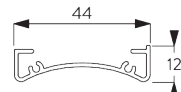
Bracket SG 10987



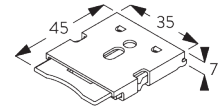
SG 3033
Clamp



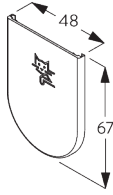
SG 3044
Clamp



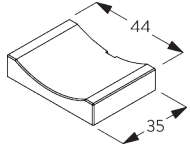
SG 10534
Installation profile



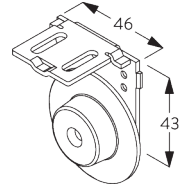
SG 10539
Bracket



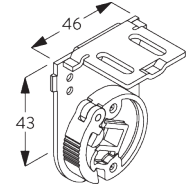
SG 10574
Bracket cover



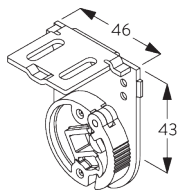
SG 10575
Bracket cover



SG 10987
Bracket



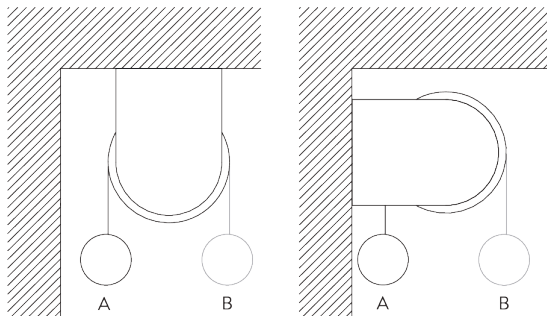
SG 10989
Bracket



SG 10991
Bracket

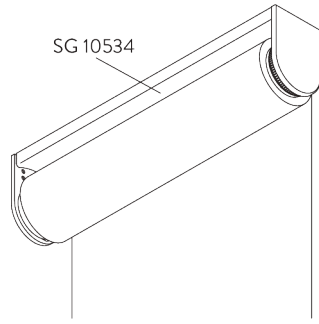
SYSTEM OPTIONS

A. FABRIC ROLL-OFF

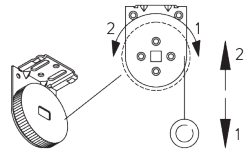


A: Fabric roll-off window side (standard)
B: Fabric roll-off room side (option)

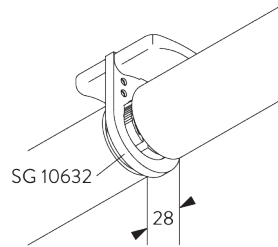
B. INSTALLATION
PROFILE



C. ADJUSTABLE END
STOP

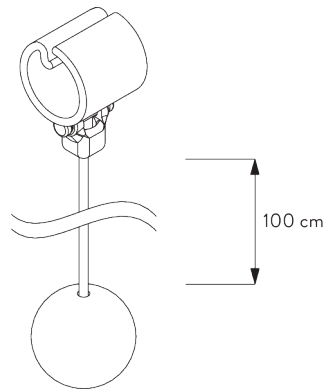


D. TWO SINGLE
SYSTEMS SIDE-BY-
SIDE



Additional parts:
– 1x SG 10632 Connection bracket cover

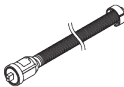
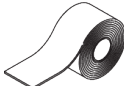
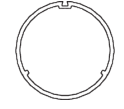
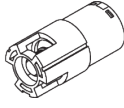
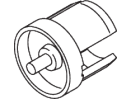

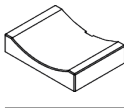
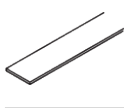
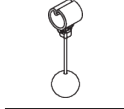


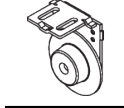

E. CHILD SAFETY
PULL BALL SET



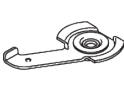
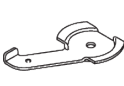
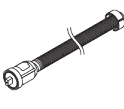
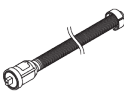
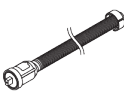
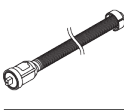
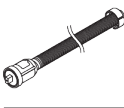
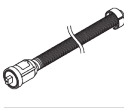
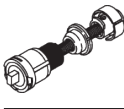
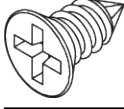

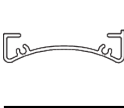
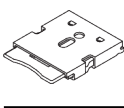

Child safety pull ball set SG 10765

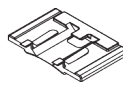


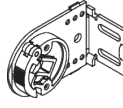

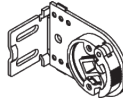
PARTS

A. STANDARD PARTS

	SG 4214 Spring C 552 mm
	SG 4226 Double tape 30 mm
	SG 4227 Tube ø 32 mm
	SG 4228 Speed controller right
	SG 4231 Tube adapter
	SG 10574 Bracket cover
	SG 10575 Bracket cover
	SG 10668 PVC strip 10 mm
	SG 10765 Child safety pull ball
	SG 10872 Bottom bar
	SG 10874 End cover
	SG 10987 Bracket
	SG 10989 Bracket

B. OPTIONAL PARTS

	SG 3033 Clamp
	SG 3044 Clamp
	SG 4212 Spring A 365 mm
	SG 4213 Spring B 442 mm
	SG 4215 Spring D 612 mm
	SG 4216 Spring E 502 mm
	SG 4217 Spring F 612 mm
	SG 4218 Spring Y-2 198 mm
	SG 4377 End stop
	SG 10139 Countersunk screw 2.9x6.5
	SG 10498 Countersunk screw 2.9x9.5
	SG 10534 Installation profile
	SG 10539 Bracket
	SG 10632 Connection bracket cover

	SG 10690 Spacer
	SG 10707 End stop
	SG 10988 Bracket end stop
	SG 10990 Bracket
	SG 10991 Bracket
	SG 10992 Bracket

