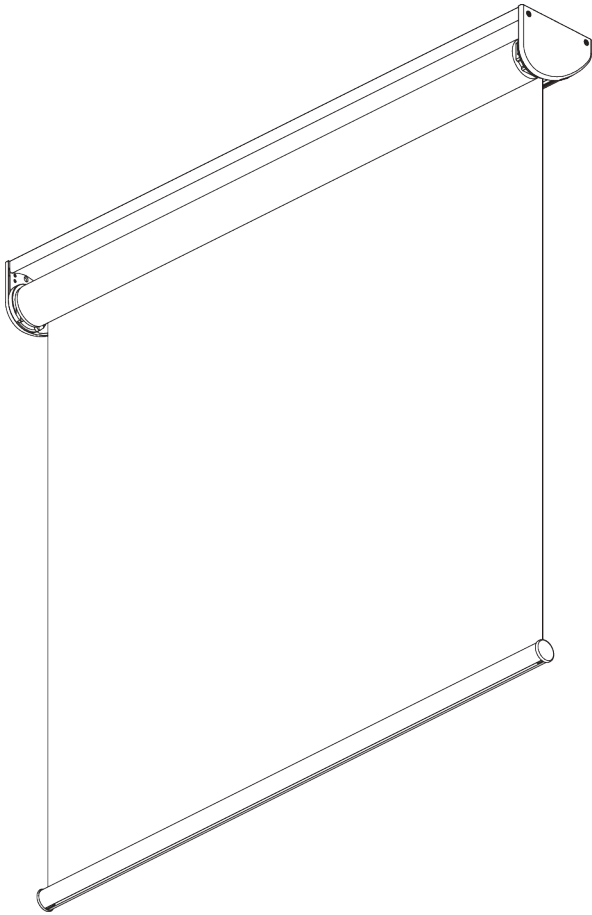
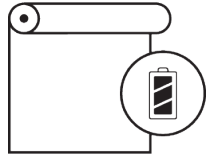


# SG 4955

---



## PRODUCT INFORMATION

- **Operation:** motorised (battery operated)
- **Range:** S - M
- **Fitting:** ceiling, wall, recess
- **Colours:** white RAL 9016 or anodised aluminum, special colours possible
- **Fabrics:** refer to Silent Gliss fabric collection

### **Features:**

- Various control options
- Easy exchange of batteries
- Click-in brackets
- Installation profile

# SYSTEM SPECIFICATIONS

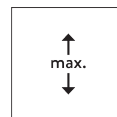
## A. SYSTEM DIMENSIONS



2.4 m



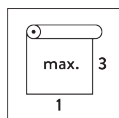
60 cm



4 m



2.5 kg



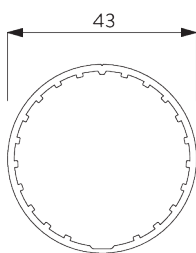
Recommended width /  
height ratio  
max. 1:3

## Maximum system drop

Fabric thickness	mm	0.15	0.20	0.25	0.30	0.35	0.40	0.45	0.50	0.55	0.60	0.65	0.70	0.75	0.80
Max. system drop	cm	400	400	400	400	400	400	390	350	320	290	270	250	230	220

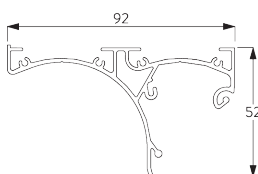
## B. PROFILE

### Profile information



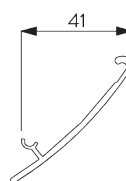
SG 10532

Tube ø 43 mm



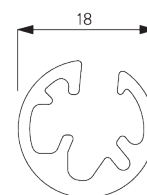
SG 11081

Profile



SG 11082

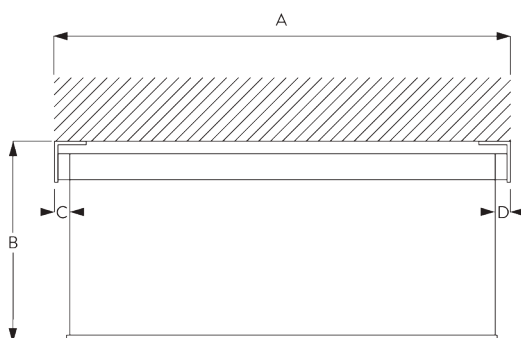
Profile



SG 10872

Bottom bar

## C. HOW TO MEASURE



A: System width  
B: System height  
C: Light gap: 14 mm  
D: Light gap operation side: 17 mm



## **D. SPECIFICATION**

### **TEXT**

#### **EN**

*Silent Gliss SG 4955 Battery Operated Roller Blind System. Roller blind. Roller blind system for light to medium size blind applications up to 2.4 m wide. Supplied made to measure and complete comprising anodised aluminium barrel SG 10532 and profile cover SG 11081 with lid SG 11082. Fixed to wall / ceiling / inside recess with clamp SG 3044 or direct fixed with installation support plate SG 11086. Integral motor SG 11076 with battery pack concealed in fascia profile. Powered by 8no. lithium AA cells. Round bottom bar SG 4221 in powder coated white Operation by remote control, hand held or wall switch. Fabric from Silent Gliss fabric programme P1-4.*

#### **SV**

*Silent Gliss SG 4955 batteridrivet rullgardinsystem. Rullgardinsystem för installationer upp till 2.4 m bredd. Levereras komplett i specificerat mått innefattande aluminium rör SG 10532 och profil täcksidor SG 11081 m. frontlock SG 11082. Vägg/tak och nischmontering med fästen SG 3044 eller direktmonterad med stödplatta SG 11086. Motor SG 11087 med batteripack gömd i kassetten. Drivs med 8 st lithium AA batterier. Monterad rund tyngdprofil i aluminium SG 4221 i vitt. Styrning med handhållen eller väggmonterad fjärrkontroll. Textil från Silent Gliss textilprogram P1-4.*

#### **NO**

*Silent Gliss SG 4955 Batteridrevet rullegardinsystem. Rullegardinsystem for maks. bredde på 2,4 meter. Leveres komplett på spesialmål med anodisert rør SG 10532 og dekkside SG 11081 m/frontdeksel SG 11082. Tak-,vegg- og nischmontering med feste SG 3044 eller direkte monterert med støtteplate SG 11086. Motor SG 11087 med batteripakke skjult i kassetten, Drives med 8 stk lithium AA batterier. Leveres med rund tyngdeprofil i hvit. Styring med fjernkontroll eller veggmontert fjernkontroll. Tekstil fra Silent Gliss kolleksjon i prisgruppe 1-4.*

#### **DA**

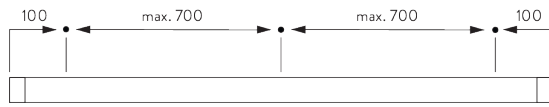
*Silent Gliss SG 4955 batteridrevet rullegardinsystem. Rullegardiner. Rullegardinsystem til lette til mellem installationer med op til 2,4 m bredde. Leveres i ønsket længde og samlet, bestående af anodiseret aluminiumrør SG 10532 og profilafdækning SG 11081 med låg SG 11082. Fastgjort til væg / loft / indfældet med klemme SG 3044 eller direkte fastgjort med installationsstøtteplade SG 11086. Integreret motor SG 11076 med batteripakke gemt i kassetten. Drevet af 8 stk. litium AA-batterier. Rund tyngdeprofil SG 4221 med hvis pulverlakering. Styres af fjernbetjening, håndholdt eller vægkontakt. Tekstil from Silent Gliss tekstil programme P1-4.*

# FITTING

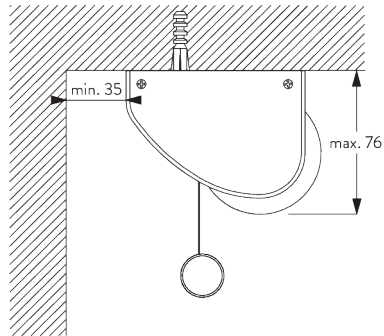
## A. FITTING INFORMATION

For detailed fitting information, visit the *Silent Gliss* website.

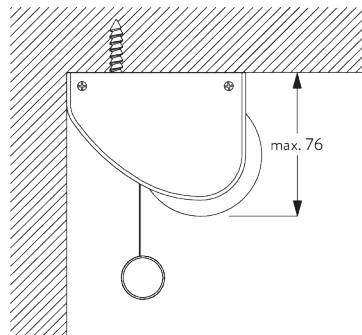
### Fixing points



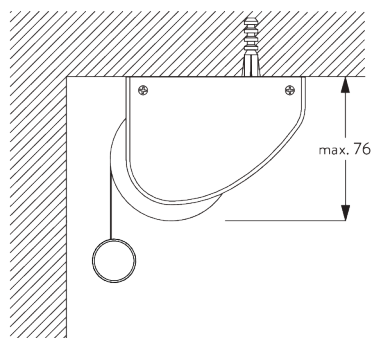
## B. CEILING FITTING



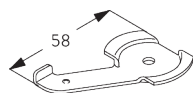
**Clamp SG 3044**



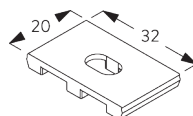
**Direct fitting**



**Reversed fitting**

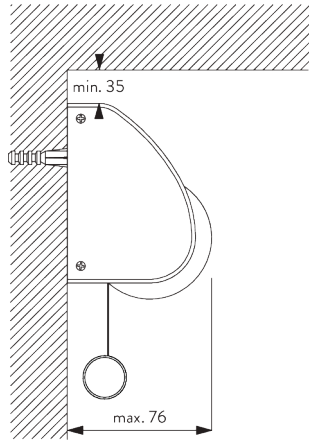


**SG 3044**  
Clamp

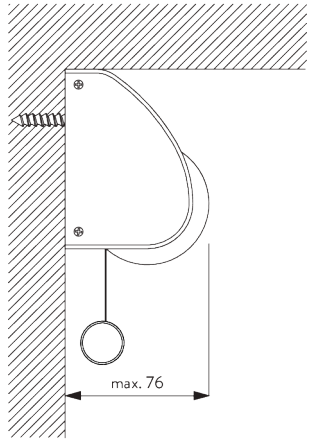


**SG 11086**  
Installation support plate

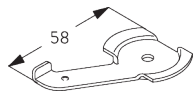
**C. WALL FITTING**



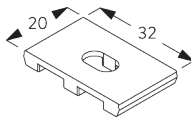
**Clamp SG 3044**



**Direct fitting**

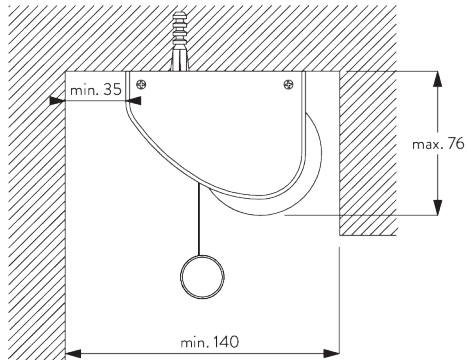


**SG 3044**  
Clamp

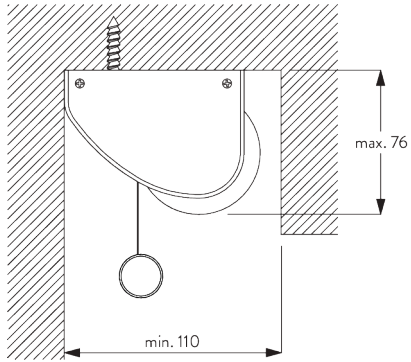


**SG 11086**  
Installation support plate

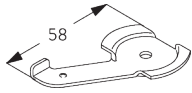
**D. RECESS FITTING**



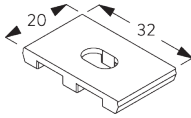
**Clamp SG 3044**



**Direct fitting**



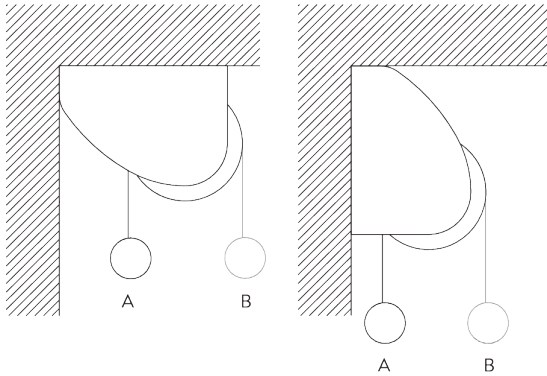
**SG 3044**  
Clamp



**SG 11086**  
Installation support plate

# SYSTEM FEATURES

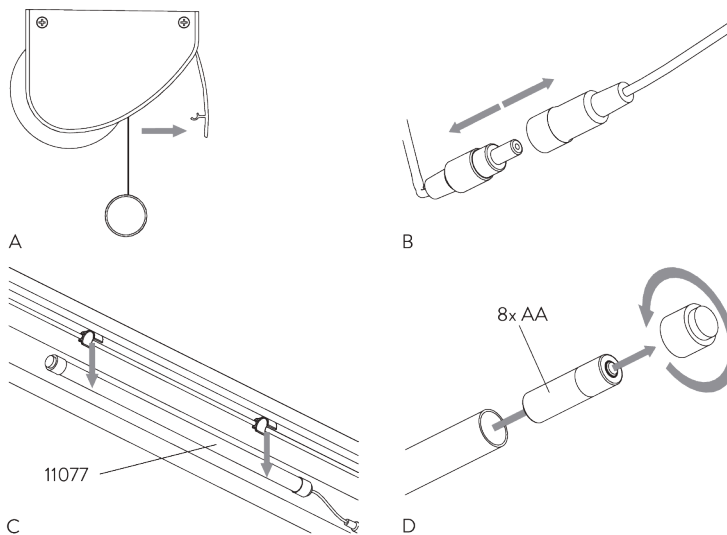
## A. FABRIC ROLL-OFF



A: Fabric roll-off window side (standard)

B: Fabric roll-off room side (option)

## B. BATTERY EXCHANGE



# MOTOR & CONTROLS

## A. MOTOR FEATURES

Motor	SG 11076
-------	----------

### Motor Features

Soft start / stop	●
Built-in receiver	●
Electronic end-stop	●
Electronic revolution counter (unlimited revolution)	●
IP class	IP 44

### Control Features

SG Control A	●
--------------	---

## B. MOTOR SPECIFICATIONS

Motor	Light gaps C / D = driving side	Min. system width	Voltage	Current	Speed	Frequency receiver
SG 11076	C: 14 mm / D: 17 mm	60 cm	12 V DC	0.55 A	30 rpm	433 MHz

## C. OPERATION METHODS

See catalogue "controls" for details.


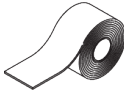
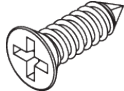

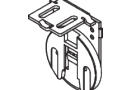


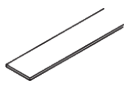
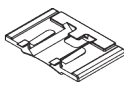



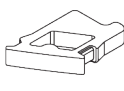

### SG Control A



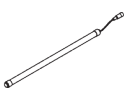





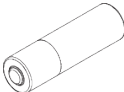



Various radio hand-held and wall transmitters available.




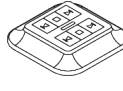

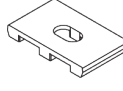
# PARTS

## A. STANDARD PARTS

	<b>SG 3044</b> Clamp
	<b>SG 4226</b> Double tape 30 mm
	<b>SG 10498</b> Countersunk screw 2.9x9.5
	<b>SG 10532</b> Tube ø 43 mm
	<b>SG 10543</b> Bracket
	<b>SG 10544</b> Bracket
	<b>SG 10557</b> Tube adapter
	<b>SG 10668</b> PVC strip 10 mm
	<b>SG 10690</b> Spacer
	<b>SG 10872</b> Bottom bar
	<b>SG 10874</b> End cover
	<b>SG 10946</b> Radio hand held 1 channel
	<b>SG 11039</b> Cable protector
	<b>SG 11072</b> Motor drive

	<b>SG 11075</b> Tube adapter
	<b>SG 11076</b> Motor 12V DC, 1.2/30
	<b>SG 11077</b> Battery box
	<b>SG 11081</b> Profile
	<b>SG 11082</b> Profile
	<b>SG 11083</b> End cover right
	<b>SG 11084</b> End cover left
	<b>SG 11085</b> Battery box holder
	<b>SG 11099</b> AA Energizer Ultimate lithium batteries
	<b>SG 11103</b> Warning sticker

## B. OPTIONAL PARTS

	<b>SG 10947</b> Radio hand held 2+1 channel
	<b>SG 10948</b> Radio hand held 6+1 channel
	<b>SG 10949</b> Radio wall transmitter 1 channel
	<b>SG 10950</b> Radio wall transmitter 2 channel
	<b>SG 10951</b> Radio wall transmitter 5+1 channel
	<b>SG 11086</b> Installation support plate