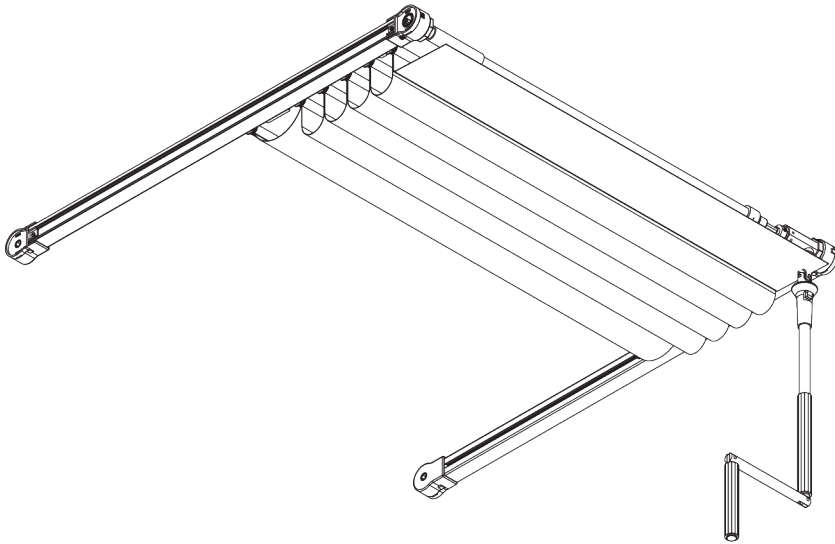
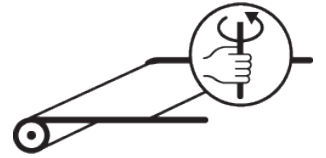


# SG 2190

---



## PRODUCT INFORMATION

- **Operation:** crank
- **Range:** S - M
- **Fitting:** ceiling, wall
- **Colours:** white RAL 9016 or anodised aluminum, special colours possible
- **Fabrics:** refer to Silent Gliss fabric collection

### **Features:**

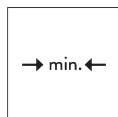
- Bendable
- Sloping
- Cantilever
- Special shapes
- Two connected systems

# SYSTEM SPECIFICATIONS

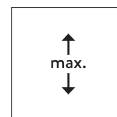
## A. SYSTEM DIMENSIONS



Type A: 2.5 m  
(plus 0.8 m each side for cantilever)



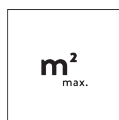
60 cm



6 m



15 kg



15 m<sup>2</sup>

## Max. system sizes and weights - straight systems

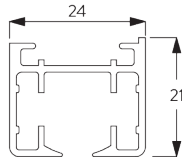
| SG 2190 |  | A (m)     |           | B (m)  |          | kg <sub>max.</sub> | m <sup>2</sup> <sub>max.</sub> |
|---------|--|-----------|-----------|--------|----------|--------------------|--------------------------------|
|         |  | Type 1    | Type 2/3  | Type 1 | Type 2/3 |                    |                                |
|         |  | 1.8       | 1.8       | 5      | 5        | 15                 | 9                              |
|         |  | 0.9 / 0.9 | 0.9 / 0.9 | 5      | 5        | 15                 | 9                              |
|         |  | 2         | 2         | 5      | 5        | 15                 | 10                             |
|         |  | 1/1       | 1/1       | 5      | 5        | 15                 | 10                             |
|         |  | 2.5       | 2.5       | 6      | 6        | 15                 | 15                             |
|         |  | 1.5 / 1.5 | 1.5 / 1.5 | 6      | 6        | 15                 | 18                             |

## Bent systems

| SG 2190 |  | A (m)  |          | B (m)  |          | kg <sub>max.</sub> | m <sup>2</sup> <sub>max.</sub> |
|---------|--|--------|----------|--------|----------|--------------------|--------------------------------|
|         |  | Type 1 | Type 2/3 | Type 1 | Type 2/3 |                    |                                |
|         |  | 2      | 2        | 5      | 5        | 15                 | 10                             |
|         |  | 1/1    | 1/1      | 5      | 5        | 15                 | 10                             |
|         |  | 2      | 2        | 5      | 5        | 15                 | 10                             |
|         |  | 1/1    | 1/1      | 4      | 4        | 15                 | 8                              |
|         |  | 2      | 2        | 4      | 4        | 10                 | 8                              |
|         |  | 1/1    | 1/1      | 4      | 4        | 10                 | 8                              |

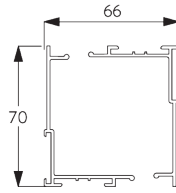
## B. PROFILE

### Profile and bending information



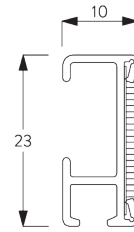
**SG 2191**

Profile



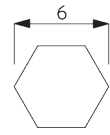
**SG 2151**

Profile



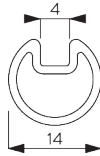
**SG 2116**

Velcro profile



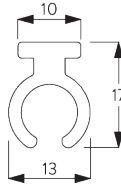
**SG 2111**

Shaft



**SG 2156**

Shaft



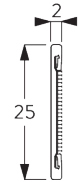
**SG 2231**

Profile



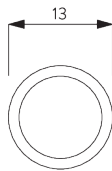
**SG 2246**

Rod PVC ø 5 mm



**SG 2510**

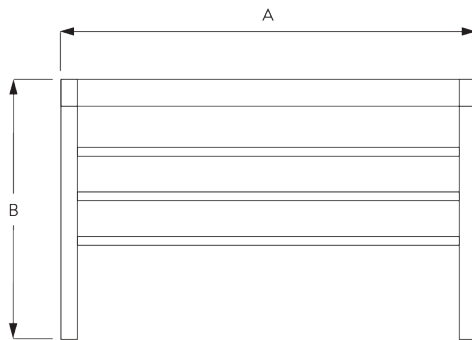
Velcro profile



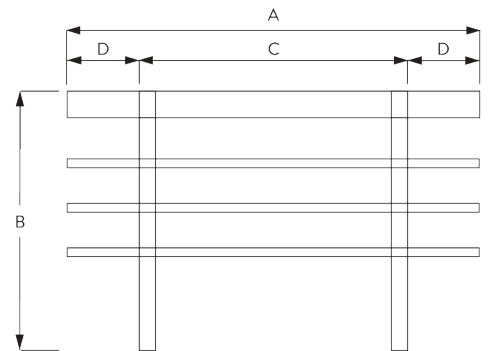
**SG 2759**

Profile

## C. HOW TO MEASURE



A: System width  
B: System height



A: System width  
B: System height  
C: Base system  
D: Cantilever max. 80 cm

## D. SPECIFICATION

### TEXT

#### EN

Silent Gliss SG 2190 Crank Handle Operated Skylight System. Supplied made to measure and complete comprising cassette SG 2151, detachable crank handle SG 2746, Glider 2145, Cross rods SG 2759. Aluminium side guide profiles SG 2191 in silver / white / bronze / black side fixed with SG 3825 clamps at 30cm centres. Can be single or double system. Left- or right-hand operation. Relevant fabric to be chosen from the Silent Gliss fabric range, Price Group 1-4.

#### SV

Silent Gliss takfönstersystem SG 2190 med vevmanövrering. Levereras komplett i specificerat mått innefattande kassett SG 2151, avtagbar vev SG 2746, glid SG 2145, tvärstag SG 2759. Sidoprofiler SG 2191 av aluminium i vitt eller alu natur monterade med vridfästen SG 3825 evt. i kombination med vinkel SG 3036. 30 cm c/c. Enkelt eller dubbelt system kan manövreras med 1 Vev som monteras i vänster eller höger sida. Textil från Silent Gliss textilprogram i prisgrupp 1-4 godkänd för användning med systemet.

#### NO

Silent Gliss SG 2190. Takvindu system for manuell betjening med sveiv. Leveres komplett på spesifisert mål. Består av kassett SG 2151 med avtakbar sveiv SG 2746, tverrstag SG 2759. Sideprofil SG 2191 av aluminium i hvit eller alu natur, monteres med vri-fester SG 3825 evt. i kombinasjon med vinkel SG 3036. 30 cm c/c. Enkel eller dobbelt system kan manøvreres med 1 sveiv som monteres på venstre eller høyre side. Tekstiler fra Silent Gliss tekstilprogram i prisgruppe 1-4.

#### DA

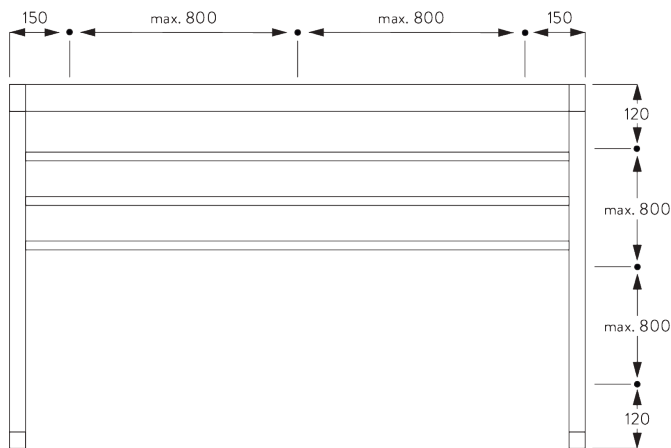
Silent Gliss SG 2190 tagvinduesystem med håndsving. Leveres i ønsket længde og komplet, bestående af kassette SG 2151, aftageligt håndtag til håndsving, SG 2746, glider 2145, tværstænger SG 2759. Sideprofiler af aluminium SG 2191 i sølv / hvidt / bronze / sort side fastgjort med klemmer SG 3825 med 30 cm afstand. Kan være et enkelt eller dobbelt system. Betjenes med venstre eller højre hånd. Relevant stof vælges fra Silent Gliss stofprogrammet, prisgruppe 1-4.

# FITTING

## A. FITTING INFORMATION

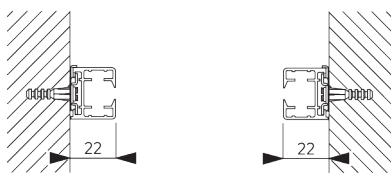
### Fixing points

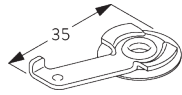
For detailed fitting information, visit the [Silent Gliss website](#).



## B. INSIDE FITTING

### Clamp SG 3825



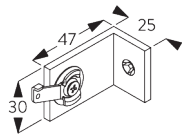
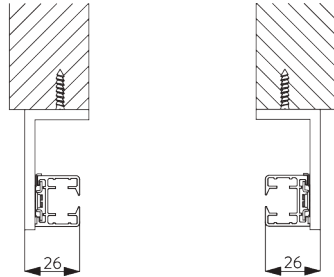


**SG 3825**

*Clamp*

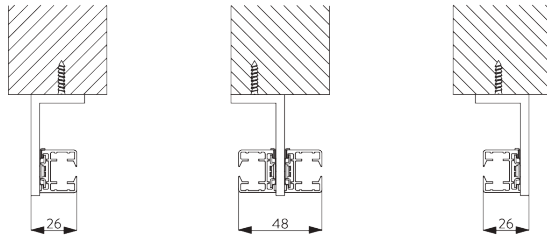
**C. FACE FITTING**

**Bracket SG 3181 /  
SG 3182**

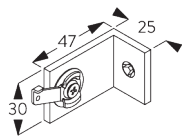


**SG 3181**

*Bracket 1 clamp*

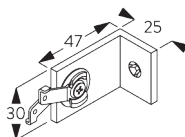


*Double system*



**SG 3181**

*Bracket 1 clamp*

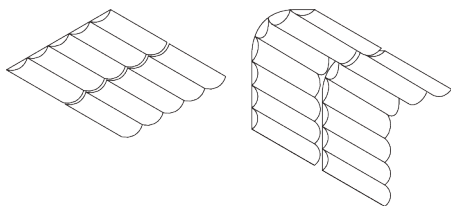


**SG 3182**

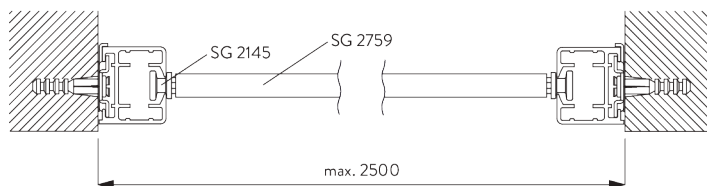
*Bracket 2 clamps*

# SYSTEM OPTIONS

## A. TWO CONNECTED SYSTEMS

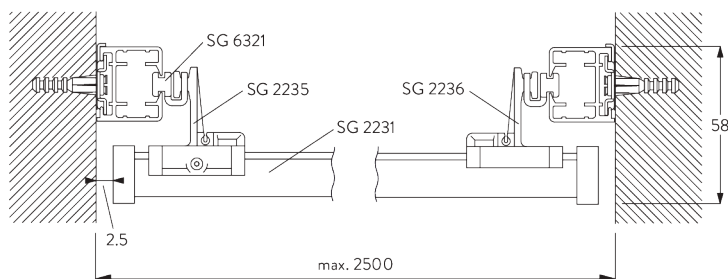


## B. INSTALLATION OPTIONS



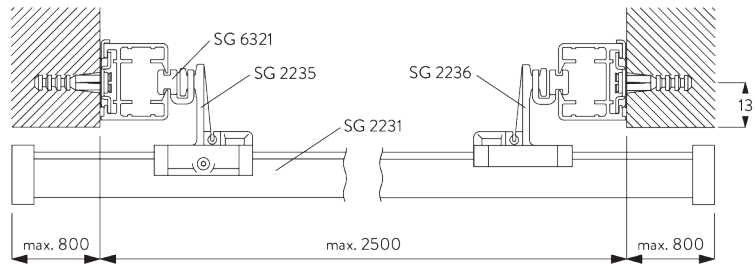
### Type 1

- SG 2145: Glider
- SG 2759: Profile



### Type 2 (Profiles covered)

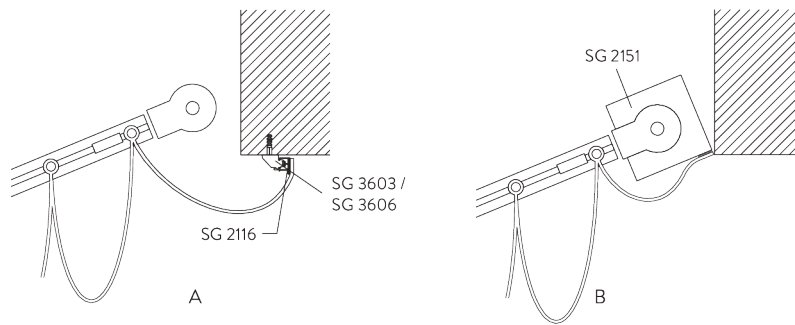
- SG 2231: Profile
- SG 2235: Glider with screw
- SG 2236: Glider without screw
- SG 6321: Glider



**Type 3** (Cantilever version to cover side profiles)

- SG 2231: Profile
- SG 2235: Glider with screw
- SG 2236: Glider without screw
- SG 6321: Glider

**C. FABRIC FIXING**

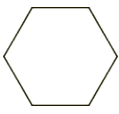
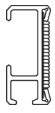
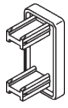
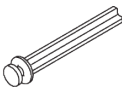

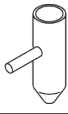
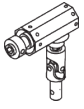
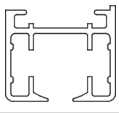
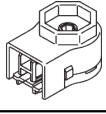
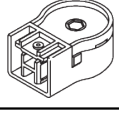
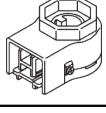
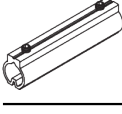
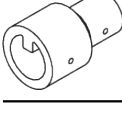



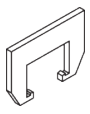
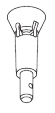
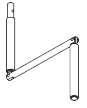
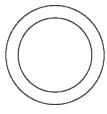
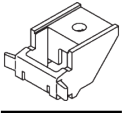
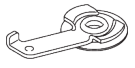
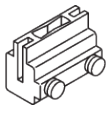
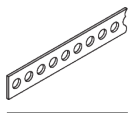
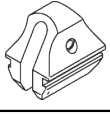

A: Fixing of fabric with profile SG 2116 (standard)

B: Fixing of fabric directly on headrail cassette

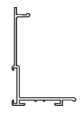
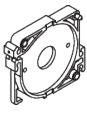
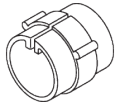



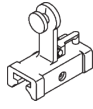
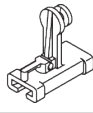
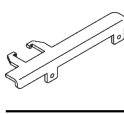
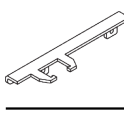
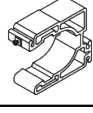
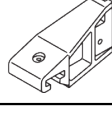

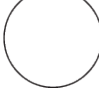
# PARTS

## A. STANDARD PARTS

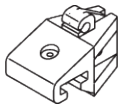
|  |                                  |
|--|----------------------------------|
|    | <b>SG 2111</b><br>Shaft          |
|    | <b>SG 2116</b><br>Velcro profile |
|    | <b>SG 2131</b><br>End cover      |
|    | <b>SG 2145</b><br>Glider         |
|    | <b>SG 2156</b><br>Shaft          |
|   | <b>SG 2182</b><br>Sleeve         |
|  | <b>SG 2189</b><br>Crank drive    |
|  | <b>SG 2191</b><br>Profile        |
|  | <b>SG 2192</b><br>Drive          |
|  | <b>SG 2193</b><br>Guide return   |
|  | <b>SG 2230</b><br>Drive          |
|  | <b>SG 2242</b><br>Connector      |
|  | <b>SG 2244</b><br>Connector      |
|  | <b>SG 2539</b><br>Tape           |

|   |   |
|---|---|
|    | <b>SG 2613</b><br>Connector             |
|    | <b>SG 2754</b><br>Detachable crank hood |
|    | <b>SG 2756</b><br>Crank handle          |
|    | <b>SG 2759</b><br>Profile               |
|    | <b>SG 3603</b><br>Bracket               |
|   | <b>SG 3825</b><br>Clamp                 |
|  | <b>SG 5005</b><br>Belt connector        |
|  | <b>SG 5130</b><br>Driving belt          |
|  | <b>SG 6086</b><br>Spring stop           |
|  | <b>SG 6321</b><br>Glider                |

## B. OPTIONAL PARTS

|   |  |
|---|--|
|    | <b>SG 2151</b><br>Profile              |
|    | <b>SG 2152</b><br>Bearing shell        |
|    | <b>SG 2153</b><br>Pulley               |
|    | <b>SG 2176</b><br>Crank drive          |
|    | <b>SG 2181</b><br>Support              |
|   | <b>SG 2231</b><br>Profile              |
|  | <b>SG 2235</b><br>Cross glider         |
|  | <b>SG 2236</b><br>Cross profile glider |
|  | <b>SG 2237</b><br>Overlap arm right    |
|  | <b>SG 2238</b><br>Overlap arm left     |
|  | <b>SG 2239</b><br>Guide                |
|  | <b>SG 2241</b><br>Halter               |
|  | <b>SG 2243</b><br>End cover            |
|  | <b>SG 2246</b><br>Rod PVC ø 5 mm       |





**SG 2249**

Holder



**SG 2510**

Velcro profile



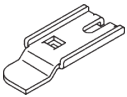
**SG 2742**

Crank joint



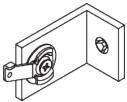
**SG 3004**

Clamp



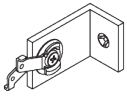
**SG 3041**

Bracket



**SG 3181**

Bracket 1 clamp



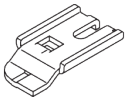
**SG 3182**

Bracket 2 clamps



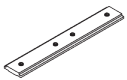
**SG 3606**

Clip



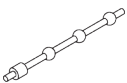
**SG 3832**

Bracket



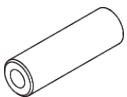
**SG 5115**

Connection bridge



**SG 6322**

Distance cord



**SG 6796**

Spring pin 4x12 DIN 1481





