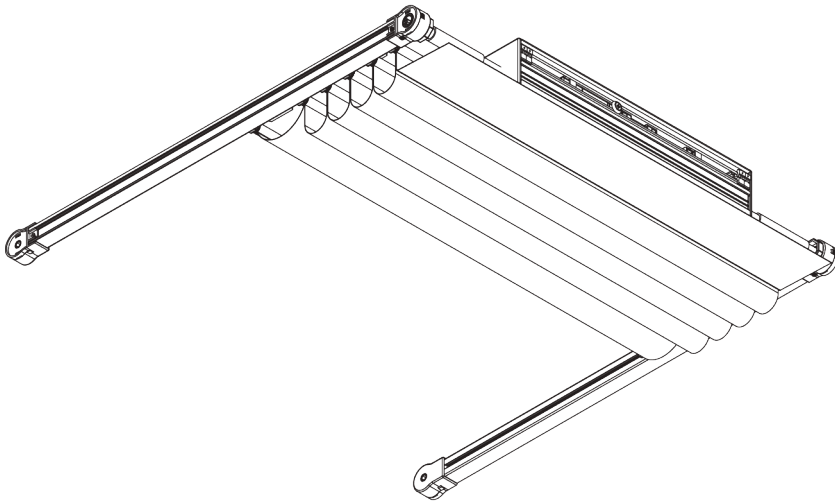


SG 2195



PRODUCT INFORMATION

- **Operation:** motorised
- **Range:** S - L
- **Fitting:** ceiling, wall
- **Colours:** white RAL 9016 or anodised aluminum, special colours possible
- **Fabrics:** refer to Silent Gliss fabric collection

Features:

- Bendable
- Sloping
- Cantilever
- Special shapes
- Three connected systems
- Various control options

SYSTEM SPECIFICATIONS

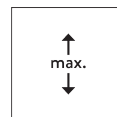
A. SYSTEM DIMENSIONS



3 m
(plus 0.8 m each side for cantilever)



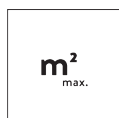
60 cm



6 m



25 kg



18 m²

Max. system sizes and weights - straight systems

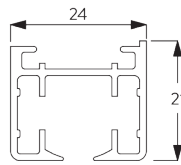
SG 2195	A (m)		B (m)		kg _{max.}	m ² _{max.}	
	Type 1	Type 2/3	Type 1	Type 2/3	Type 1/2/3	Type 1/2/3	
	□	2.5	3	6	6	18	18
	▢	2 / 2	2 / 2	6	6	18	24
	▣	1.2 / 1.2 / 1.2	1.2 / 1.2 / 1.2	5	5	18	18
 $\triangle \text{max. } 45^\circ$	□	2.5	3	6	6	25	18
	▢	2.5 / 2.5	2.5 / 2.5	6	6	25	30
	▣	2 / 2 / 2	2 / 2 / 2	6	6	25	36
	□	2.5	3	6	6	25	18
	▢	2.5 / 2.5	2.5 / 2.5	6	6	25	30
	▣	2 / 2 / 2	2 / 2 / 2	6	6	25	36

Bent systems

SG 2195	A (m)		B (m)		kg _{max}	m ²
	Type 1	Type 2/3	Type 1	Type 2/3	Type 1/2/3	Type 1/2/3
		2.5	2.5	6	6	18
	2 / 2	2 / 2	6	6	18	24
	1.2 / 1.2 / 1.2	1.2 / 1.2 / 1.2	6	6	18	21.6
	2.5	2.5	6	6	18	15
	1.5 / 1.5	1.5 / 1.5	5	5	18	15
	0.8 / 0.8 / 0.8	0.8 / 0.8 / 0.8	5	5	18	12
	2.5	2.5	4	4	15	10
	1.5 / 1.5	1.5 / 1.5	4	4	15	12
	0.8 / 0.8 / 0.8	0.8 / 0.8 / 0.8	3	3	15	7.2

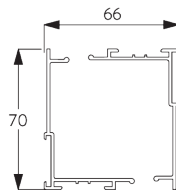
B. PROFILE

Profile and bending information

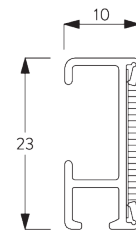


SG 2191
Profile

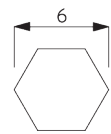
Radius:
✓ >25 cm



SG 2151
Profile



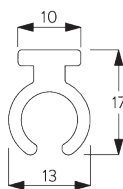
SG 2116
Velcro profile



SG 2111
Shaft



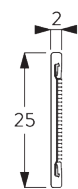
SG 2156
Shaft



SG 2231
Profile



SG 2246
Rod PVC ø 5 mm

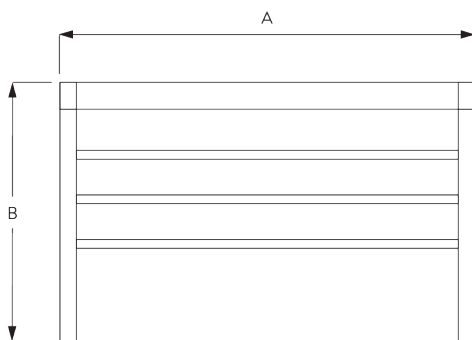


SG 2510
Velcro profile

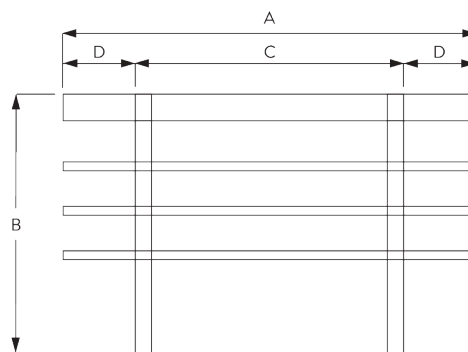


SG 2759
Profile

C. HOW TO MEASURE



A: System width
B: System height



A: System width
B: System height
C: Base system
D: Cantilever max. 80 cm

D. SPECIFICATION

TEXT

EN

Silent Gliss SG 2195 Electrically Operated Skylight System. Supplied made to measure and complete comprising cassette SG 2151 with enclosed motor SG 2160 complete with drive shaft SG 2156, Glider 2145, Cross rods SG 2759. Aluminium side guide profiles SG 2191 in white or alu finish fixed with SG 3825 clamps at 30cm centres. Can be single, double or triple operation from one motor controlled by fixed switch / third party control system subject to suitable interface by others party / Silent Gliss SG 9940 radio control systems via external receiver. All wiring to be strictly in accordance with Silent Gliss wiring diagrams. Relevant fabric to be chosen from the Silent Gliss fabric range, Price Group 1-4.

SV

Silent Gliss takfönstersystem SG 2195 med motor. Levereras komplett i specificerat mått innefattande kassett SG 2151 komplett med motor SG 2160 med drivstag SG 2156 tvärstag SG 2759. Sidoprofiler SG 2191 av aluminium i vitt eller alu natur monterade med vridfästen SG 3825 evt. i kombination med vinkel SG 3036. 30 cm c/c. Upp till 3 system kan kopplas samman och styras via väggkontakt/ via fjärrkontroll system SG 9940 eller via externt styrsystem. Radiokomponenter mot tillägg. All elinstallation skall följa Silent Gliss kopplingschema. Textil från Silent Gliss textilprogram i prisgrupp 1-4 godkänd för användning med systemet.

NO

Silent Gliss SG 2195 Elektrisk styrt takvinduesystem. Leveres komplett på spesifisert mål. Består av kassett SG 2151 komplett med motor SG 2160, drivstag SG 2156 og tverrstag SG 2759. Sideprofil SG 2191 av aluminium i hvit eller alu natur, monteres med vri-fester SG 3825 evt. i kombinasjon med vinkel SG 3036. 30 cm c/c. inntil 3 system kan kobles sammen og styres via veggbryter, fjernkontroll system SG 9940 eller via eksternt styringsystem. Radiokomponenter kommer i tillegg. Silent Gliss koblingskjema skal følges ved alle el-installasjoner. Tekstiler fra Silent Gliss tekstilprogram er godkjent for produktet, prisgruppe 1-4.

DA

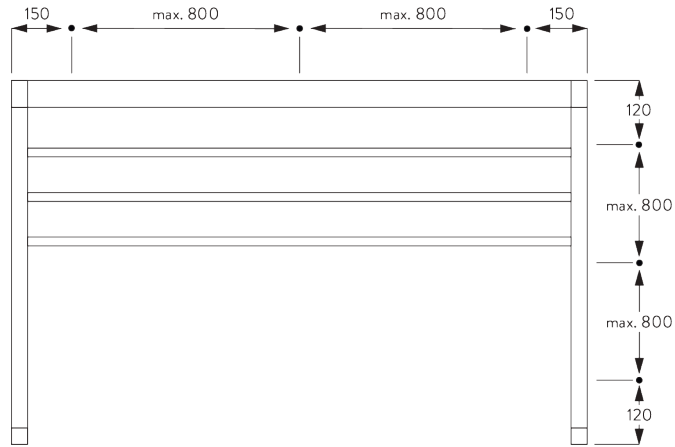
Silent Gliss SG 2195 elektrisk tagvinduesystem. Leveres i ønsket længde og komplet, bestående af kassette SG 2151 medfølgende motor SG 2160, komplet med drivaksel SG 2156, glider 2145, tværstænger SG 2759. Sideprofiler af aluminium SG 2191 i hvidt eller aluminium finish, fastgjort med klemmer SG 3825 med 30 cm afstand. Kan styres enkelt, dobbelt eller tredoblet fra en motor styret af en fast kontakt / tredjeparts styresystem, forudsat at der er en passende grænseflade fra en tredjepart til rådighed / Silent Gliss SG 9940 radiokontrolsystem gennem ekstern modtager. Al ledningsføring skal udelukkende vælges i henhold til Silent Gliss ledningsdiagrammer. Relevant stof vælges fra Silent Gliss stofprogrammet, prisgruppe 1-4.

FITTING

A. FITTING INFORMATION

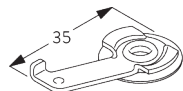
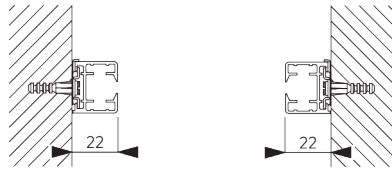
For detailed fitting information, visit the Silent Gliss website.

Fixing points



B. INSIDE FITTING

Clamp SG 3825

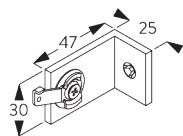
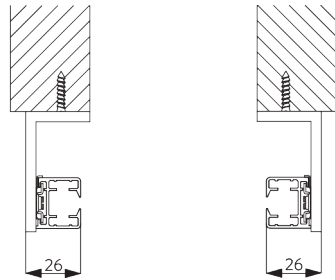


SG 3825

Clamp

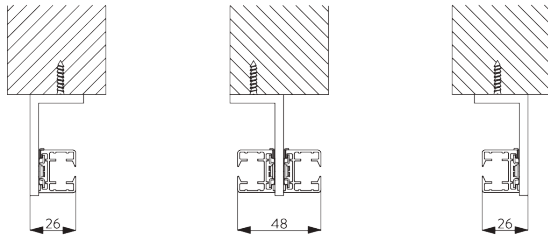
C. FACE FITTING

Bracket SG 3181 / SG 3182

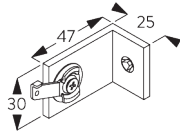


SG 3181

Bracket 1 clamp

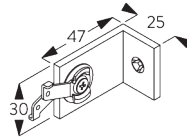


Double system



SG 3181

Bracket 1 clamp

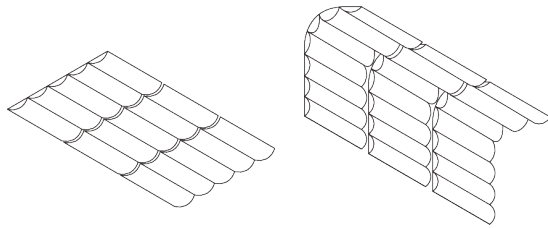


SG 3182

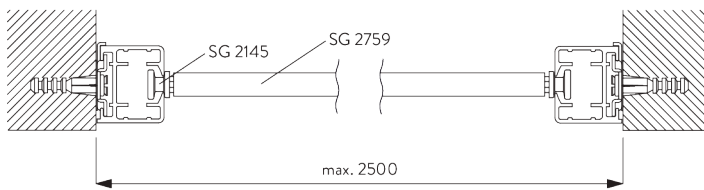
Bracket 2 clamps

SYSTEM OPTIONS

A. TWO OR THREE CONNECTED SYSTEMS

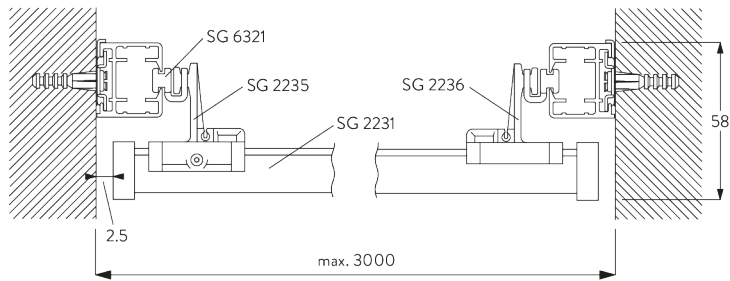


B. INSTALLATION OPTIONS



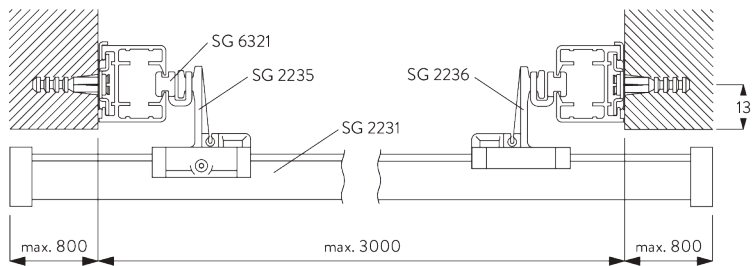
Type 1

- SG 2145: Glider
- SG 2759: Profile



Type 2 (Profiles covered)

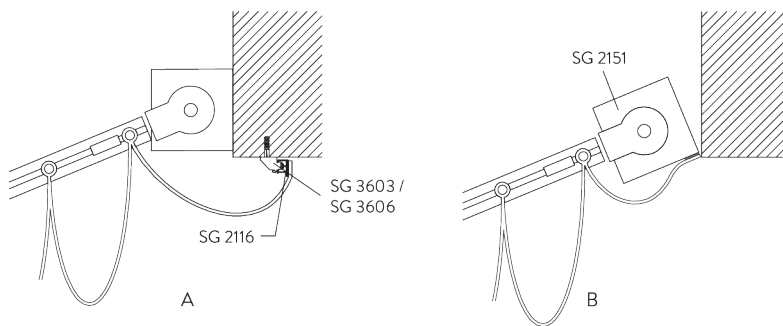
- SG 2231: Profile
- SG 2235: Glider with screw
- SG 2236: Glider without screw
- SG 6321: Glider



Type 3 (Cantilever version to cover side profiles)

- SG 2231: Profile
- SG 2235: Glider with screw
- SG 2236: Glider without screw
- SG 6321: Glider

C. FABRIC FIXING



A: Fixing of fabric with profile SG 2116 (standard)

B: Fixing of fabric directly on headrail cassette

MOTOR & CONTROLS

A. MOTOR FEATURES

Motors	SG 2160
Motor Features	
Mechanical end-stop	•
Mechanical revolution counter (limited revolution)	•
Noiseless stop	•
IP class	IP 44
Control Features	
Mains power control	•
SG Control L (external receiver required)	•
Suitable for most major home automation systems (with suitable interface)	•

B. MOTOR SPECIFICATIONS

Motors	Voltage	Current	Frequency	Speed
SG 2160	230 V AC	0.5 A	50 Hz	26 rpm

C. OPERATING METHODS

See catalogue "controls" for details.

Wall Switch



System can be operated by fixed wall switch.

SG Control L



Various radio hand-held and wall transmitters available. An external receiver is required.



Silent Gliss Move App.

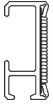
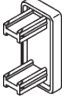
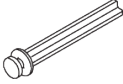

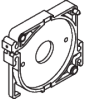
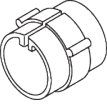


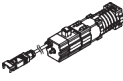
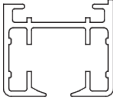
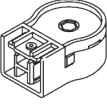
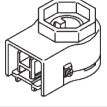
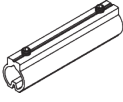
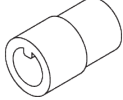
D. WIRING DIAGRAMS

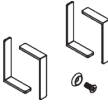
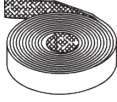
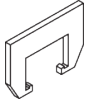
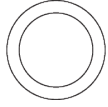
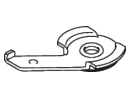
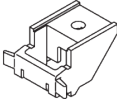
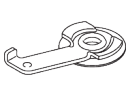
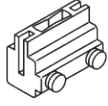
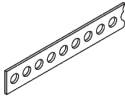

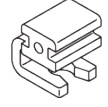
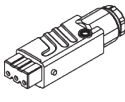


Refer to Silent Gliss website.


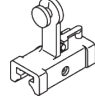
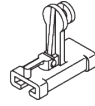
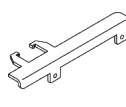
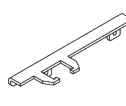
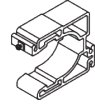
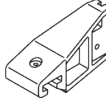

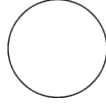
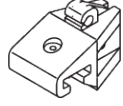

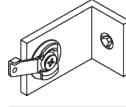
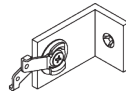

PARTS

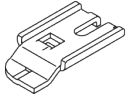
A. STANDARD PARTS

	SG 2116 Velcro profile
	SG 2131 End cover
	SG 2145 Glider
	SG 2151 Profile
	SG 2152 Bearing shell
	SG 2153 Pulley
	SG 2154 End cover
	SG 2156 Shaft
	SG 2160 Motor 230V AC, JA 06/26 soft
	SG 2191 Profile
	SG 2193 Guide return
	SG 2230 Drive
	SG 2242 Connector
	SG 2245 Shaft connector

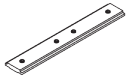
	SG 2247 Set Elero 230V
	SG 2539 Tape
	SG 2613 Connector
	SG 2759 Profile
	SG 3004 Clamp
	SG 3603 Bracket
	SG 3825 Clamp
	SG 5005 Belt connector
	SG 5130 Driving belt
	SG 6086 Spring stop
	SG 6321 Glider
	SG 9917 Hirschmann portable socket-outlet STAK 3 N

B. OPTIONAL PARTS

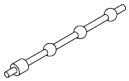
	SG 2231 Profile
	SG 2235 Cross glider
	SG 2236 Cross profile glider
	SG 2237 Overlap arm right
	SG 2238 Overlap arm left
	SG 2239 Guide
	SG 2241 Halter
	SG 2243 End cover
	SG 2246 Rod PVC ø 5 mm
	SG 2249 Holder
	SG 2510 Velcro profile
	SG 3181 Bracket 1 clamp
	SG 3182 Bracket 2 clamps
	SG 3606 Clip

**SG 3832**

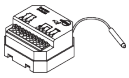
Bracket

**SG 5115**

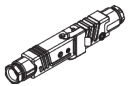
Connection bridge

**SG 6322**

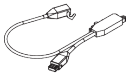
Distance cord

**SG 9068**

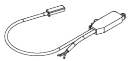
Radio receiver Revio

**SG 9916**

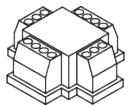
Hirschmann plug set

**SG 9944**

Radio receiver 1 channel

**SG 9945**

Radio receiver 1 channel

**SG 9959**

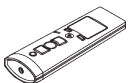
Central control unit relay

**SG 10300**

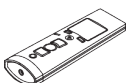
Radio hand held 1 channel

**SG 10302**

Radio hand held 5+1 channel

**SG 10303**

Radio hand held 10+2+1 channel

**SG 10804**

Radio hand held 15+5+1 channel

**SG 11480**

Radio wall transmitter 1 channel

**SG 11490**

Radio wall transmitter 5+1 channel

