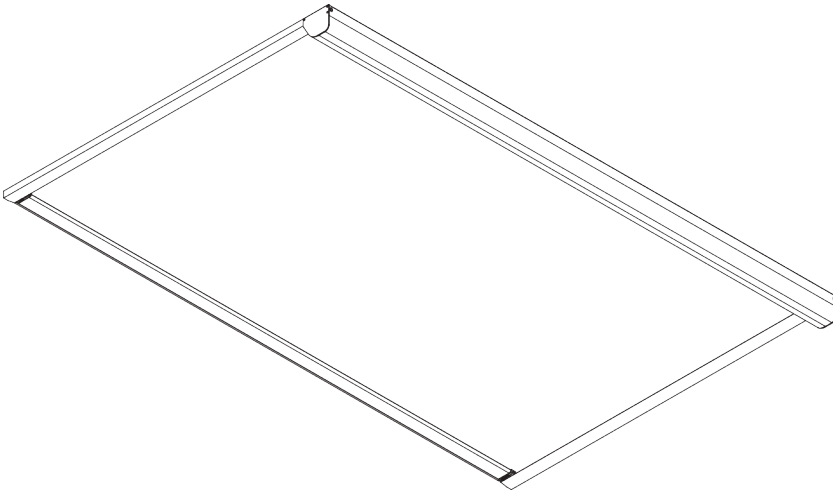


SG 8640



PRODUCT INFORMATION

- **Operation:** motorised
- **Range:** S - L
- **Fitting:** ceiling, wall, recess
- **Colours:** white RAL 9016, special colours possible
- **Fabrics:** refer to Silent Gliss fabric collection

Features:

- Tensioned roller blind
- Various control options
- Any angle
- Fabric Zip technology
- Dim Out with appropriate fabric selection

SYSTEM SPECIFICATIONS

A. SYSTEM DIMENSIONS



3 m



65 cm



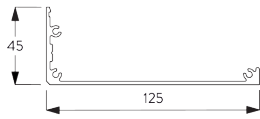
Headbox S / M: 3 m
Headbox L: 4.5 m



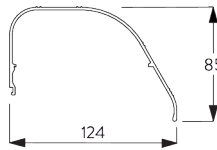
Headbox S / M: 9 m²
Headbox L:
13 m² / 11 m²

B. PROFILE

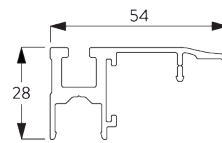
Profile information



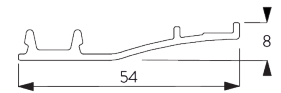
SG 8641
Box case S/M 105x125 mm



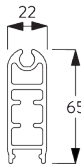
SG 8642
Box cover S/M 105x125 mm



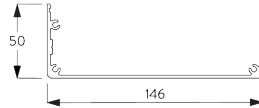
SG 8643
Side guide case inside fitting



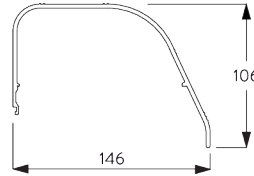
SG 8644
Side guide cover



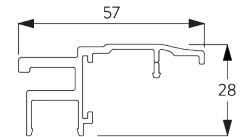
SG 8645
Bottom bar



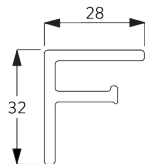
SG 8661
Box case Large 126x146 mm



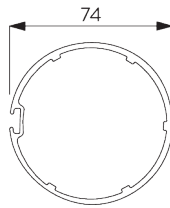
SG 8662
Box cover Large 126x146 mm



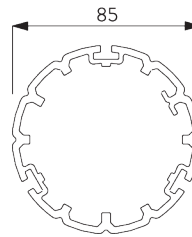
SG 8663
Side guide case inside fitting



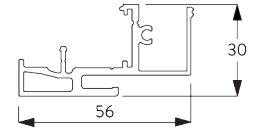
SG 8664
Side guide profile inside fitting



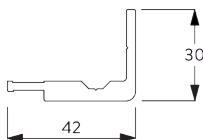
SG 8665
Tube ø 74 mm



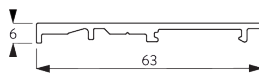
SG 8666
Tube Large ø 85 mm



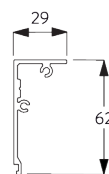
SG 8672
Side guide case



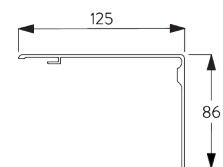
SG 8673
Concealed side guide profile



SG 8674
Concealed side guide cover

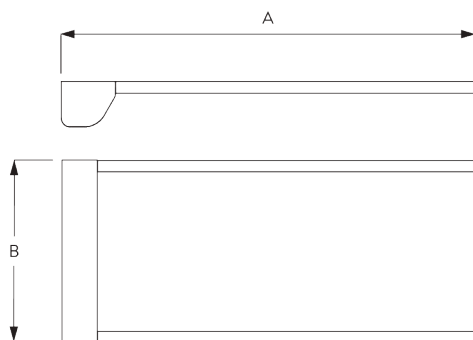


SG 8677
Concealed box cover 105x125 mm



SG 8678
Concealed box cover lid 105x125 mm

C. HOW TO MEASURE



A: System length
B: System width

D. SPECIFICATION TEXT

EN

Silent Gliss SG 8640 Electrically Operated Tensioned Dimout / Solar Screening Roller Blind System. Supplied made to measure and complete comprising (key components) motor SG 8657 / SG 8658 , zip profile SG 8659 - System S/M - Box cover SG 8642, box case SG 8641, aluminium tube SG 8665/ System L - box cover 8662, box case SG 8661, aluminium tube SG 8666. Inside fix - Side guide case SG 8663, side guide profile SG 8664. Face fix - side guide case SG 8643, Side guide cover SG 8644. Concealed recess fix option with box covers SG 8677, SG 8678 side guide case SG 8672, side guide profile SG 8673 and side guide cover SG 8674. Controlled via fixed switch / third party control system subject to suitable interface by others/ SG radio control systems SG 9940 / SG 0450 with external receiver. All radio control components supplied at additional cost. All wiring to be strictly in accordance with Silent Gliss wiring diagrams. Fabric to be chosen from the Silent Gliss fabric range, Price Group 1 / price group 2.

SV

Silent Gliss SG 8640 mörkläggnings/solavskärminingssystem med motor. Levereras i kundmått inkluderande motor SG 8657 / SG 8658, zip profil SG 8659 - System S/M - Kassett kåpa SG 8642, kassett SG 8641, aluminiumrör SG 8665 / System L - kassett kåpa 8662, kassett SG 8661, aluminiumrör SG 8666. Nisch montering - Sidoprofil kåpa SG 8663, sidoprofil SG 8664. Utanpåliggande montering - sidoprofil SG 8643, Sidoprofil kåpa SG 8644. Dold infälld montering med kassett kåpor SG 8677, SG 8678 sidoprofil kåpa SG 8672, sidoprofil SG 8673 and sidoprofil kåpa SG 8674. Kan styras via väggkontakt/ via fjärrkontroll system SG 9940 eller via externt styrsystem. Radiokomponenter mot tillägg. All elinstallation skall följa Silent Gliss kopplingschema. Textil från Silent Gliss textilprogram prisgrupp 1 / 2 godkänd för användning med systemet.

NO

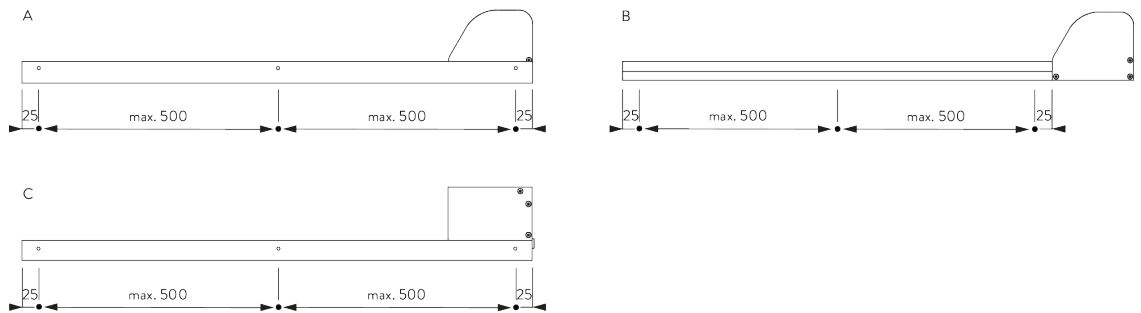
Silent Gliss SG8640 mørklægging-/ solavskjermingssystem med motor. Leveres måtilpasset. Motor SG 8657 / SG 8658 , zip profil SG 8659 - System S/M - Kassett kåpe SG 8642, kassett SG 8641, aluminiumsrør SG 8665 / System L - kassett kåpe SG 8662, kassett SG 8661, aluminiumsrør SG 8666. Nisjemontering - Sideprofil kåpe SG 8663, sideprofil SG 8664. Utenpåliggende montering - sideprofil SG 8643, Sideprofil kåpe SG 8644. Skjult innfelling montering med kassett kåper SG 8677, SG 8678 sideprofil kåpe SG 8672, sideprofil SG 8673 og sideprofil kåpa SG 8674. Kan styres via veggbryter/ via fjernkontroll system SG 9940 eller via eksternt styringssystem. Radiokomponenter mot tillegg. Alle elektrisk installasjon skal tilkoples i.h.t. Silent Gliss koplingskjema. Tekstil fra Silent Gliss tekstilkolleksjon prisgruppe 1 / 2 er godkjent for bruk på systemet.

FITTING

A. FITTING INFORMATION

For detailed fitting information, visit the Silent Gliss website.

Fixing points

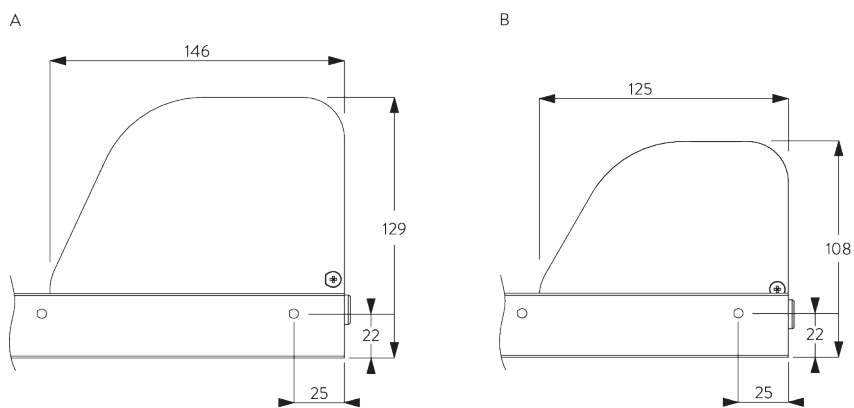


A: Inside recess fitting

B: Face fitting

C: Concealed recess fitting

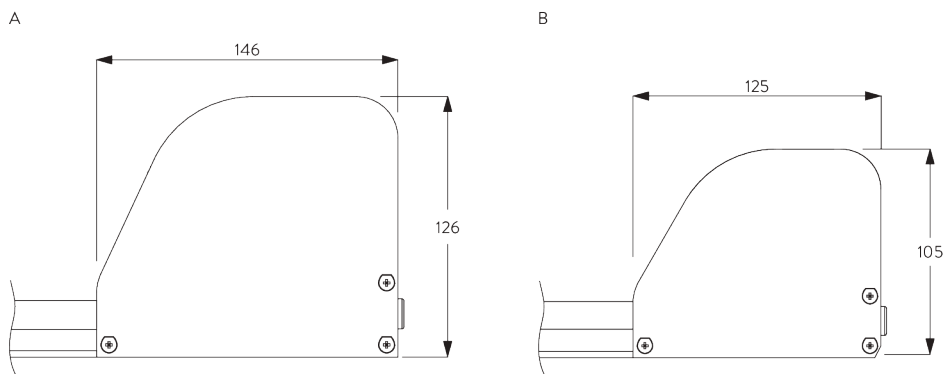
Headbox dimensions



Inside recess fitting

A: Headbox L

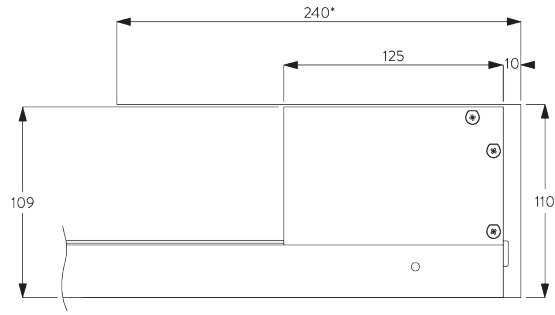
B: Headbox S / M



Face fitting

A: Headbox L

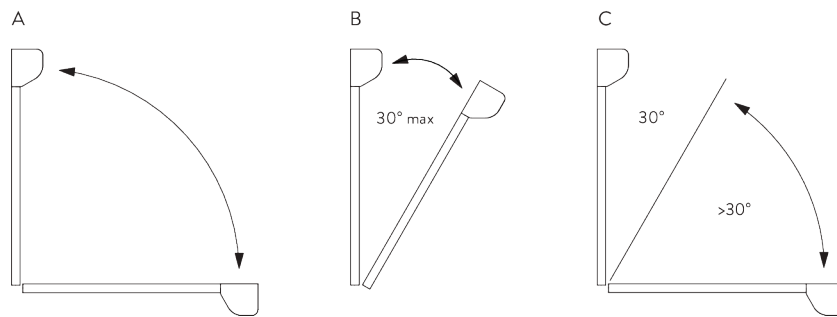
B: Headbox S / M



Concealed recess fitting
 Concealed recess headbox

*recess depth required to fully conceal hembar when retracted!

Fitting angles



A: Headbox S / M:

3 m wide x 3 m draw / 9 m² any angle

B: Headbox L:

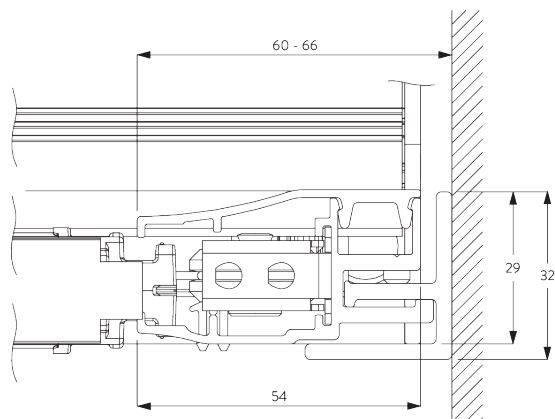
3 m wide x 4.5 m draw / 13 m² no greater than 30° from vertical

C: Headbox L:

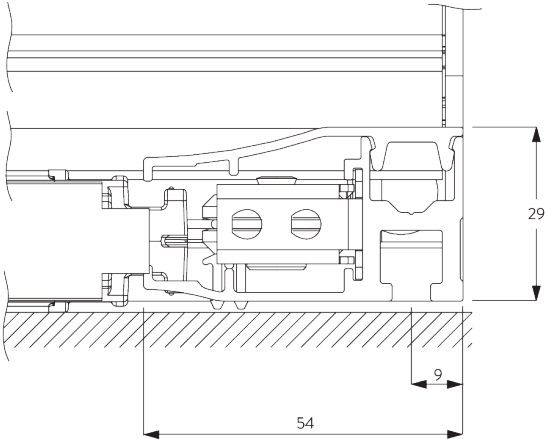
Max. 2.5 m wide x 4.5 m draw / 11 m² greater than 30° from vertical

Concealed recess option max. 3 m wide x 3 m draw any angle.

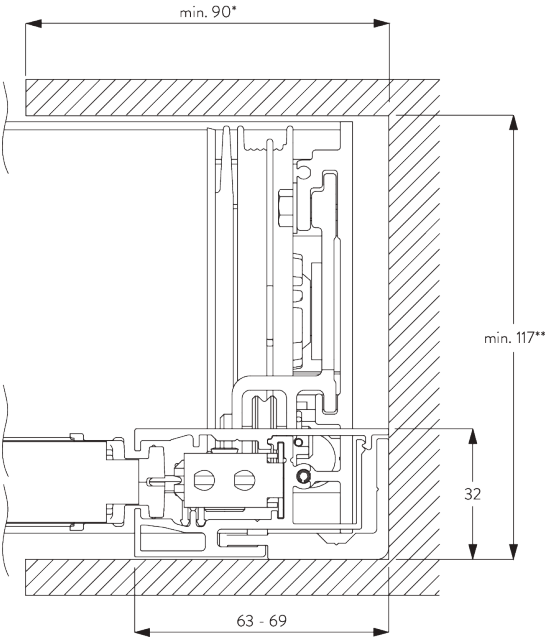
B. INSIDE RECESS FITTING



C. FACE FITTING



D. CONCEALED RECESS FITTING



**recess depth required to fully conceal hem bar end caps
**min. 125 mm if head box lid is used*

MOTOR & CONTROLS

A. MOTOR FEATURES

Motor	SG 8657 / SG 8658
Motor Features	
Soft start / stop	●
Electronic end-stop	●
Electronic revolution counter (unlimited revolution)	●
Cable connectable with plug into motor	●
IP class	IP 30
Control Features	
Mains power control	●
SG Control L (external receiver required)	●
Suitable for most major home automation systems (with suitable interface)	●

B. MOTOR SPECIFICATIONS

Motor	Voltage	Current	Frequency	Speed
SG 8657 / SG 8658	100-240 V AC	0.8 A	50 / 60 Hz	12 rpm

C. OPERATING METHODS

See catalogue "controls" for details.

Wall Switch



System can be operated by fixed wall switch.

SG Control L



Various radio hand-held and wall transmitters available. An external receiver is required.



Silent Gliss Move App.

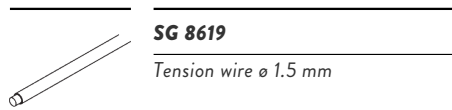
D. WIRING DIAGRAMS



Refer to the Silent Gliss website.

PARTS

A. STANDARD PARTS



SG 8619

Tension wire \varnothing 1.5 mm



SG 8641

Box case S/M 105x125 mm



SG 8642

Box cover S/M 105x125 mm



SG 8643

Side guide case inside fitting



SG 8644

Side guide cover



SG 8645

Bottom bar



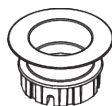
SG 8646

Cable spool left



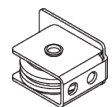
SG 8647

Cable spool right



SG 8648

Tube adapter



SG 8649

Pulley



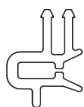
SG 8656

Spring



SG 8657

Motor kit



SG 8659

Zip profile



SG 8665

Tube \varnothing 74 mm



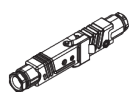
SG 8667

End cover left S/M 105x125 mm



SG 8668

End cover right S/M 105x125 mm



SG 9916

Hirschmann plug set

B. OPTIONAL PARTS



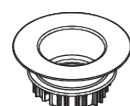
SG 8651

Cable spool left Large



SG 8652

Cable spool right Large



SG 8653

Tube adapter Large



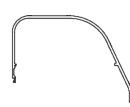
SG 8658

Motor kit L



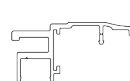
SG 8661

Box case Large 126x146 mm



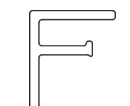
SG 8662

Box cover Large 126x146 mm



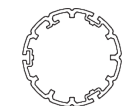
SG 8663

Side guide case inside fitting



SG 8664

Side guide profile inside fitting



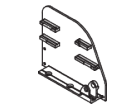
SG 8666

Tube Large \varnothing 85 mm



SG 8669

End cover left Large 126x146 mm



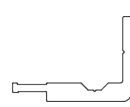
SG 8671

End cover right Large 126x146 mm



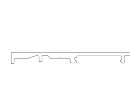
SG 8672

Side guide case



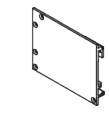
SG 8673

Concealed side guide profile



SG 8674

Concealed side guide cover



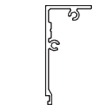
SG 8675

Concealed end cover left 105x125 mm



SG 8676

Concealed end cover right 105x125 mm



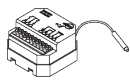
SG 8677

Concealed box cover 105x125 mm



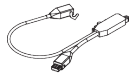
SG 8678

Concealed box cover lid 105x125 mm



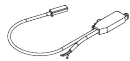
SG 9068

Radio receiver Revio



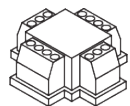
SG 9944

Radio receiver 1 channel



SG 9945

Radio receiver 1 channel



SG 9959

Central control unit relay



SG 10300

Radio hand held 1 channel



SG 10302

Radio hand held 5+1 channel



SG 10303

Radio hand held 10+2+1 channel



SG 10804

Radio hand held 15+5+1 channel



SG 11480

Radio wall transmitter 1 channel



SG 11490

Radio wall transmitter 5+1 channel
